

INSTALLATION INSTRUCTIONS



Tech Support
856-768-5700 EXT 2
TechSupport@LEDGlow.com

Limited Warranty and Disclaimer

All LEDGlow Lighting, LLC. products come with a one year limited warranty on the internal parts of the product. This warranty starts from the date of purchase. LEDGlow Lighting, LLC. will replace or repair any qualifying defective product received by the company before the end of the warranty period. Installation of this product must be performed by a licensed professional. Should the failure of the product be the result of damage occurring as a result of improper installation, alteration of the product or an act or omission on the part of the consumer, this warranty is void. LEDGlow Lighting, LLC. shall not be responsible for any consequential damages which arise from the use and/or installation of the product. If the kit is installed in any manner other than specified, LEDGlow Lighting, LLC. reserves the right to deny any warranty claims at the discretion of the technical support department. The one year warranty is not transferable and is valid for up to one year from the original date of purchase. Any product return must include the original packaging, a statement of the alleged defect and an RMA number must be provided. All RMA numbers are valid for 14 days from issued date. Upon receipt of the returned product, the company will test the product for defect. If the results of the testing do not support the warranty claim, do not reveal any defect or indicate consumer negligence in the installation and handling of the product, then the product will be returned to you and you will be charged a reshipping fee. If the product is returned from an address within the continental United States, within the first 14 days after purchase, and is found to be defective, LEDGlow Lighting, LLC. will cover the cost of the return shipping with an emailed return label. This offer is only valid for the continental US. All international shipping, customs fees and/or duty charges are solely the responsibility of the consumer.

Additional Disclaimer Terms

Lights are for off road use only; please check your local and state laws for the proper use of this product.

- Improper installation of electricity-using products such as lighting may cause damage to any vehicle or device to which the improperly handled or installed lighting is attached.
- Improperly installed product may cause electrical injury to persons.
- It is recommended that the kit be installed by a licensed professional.
- LEDGlow Lighting, LLC. assumes no liability for the installation of the product.
- Warranty or liability will not exceed the product purchase price which shall be the buyer's sole and exclusive remedy.

THERE ARE NO WARRANTIES WHICH EXTEND BEYOND THE WARRANTIES DESCRIBED ON THE FACE HEREOF INCLUDING ANY IMPLIED WARRANTIES OF MERCHANTABILITY OR FITNESS FOR A PARTICULAR PURPOSE. (LEDGlow Lighting, LLC. AT IT'S DISCRETION, MAY PROVIDE REMEDY OF RETURN OF PURCHASE PRICE OR REPAIR OR REPLACEMENT OF DEFECTIVE PRODUCT AS BUYERS SOLE AND EXCLUSIVE REMEDY.)

LEDGlow Lighting, LLC.
150 Cooper Road - Suite A-2 West Berlin, NJ 08091

4 and 6 Piece - Single Color LED UNDERBODY LIGHTING KITS

(Interior kit sold separately from 4pc kit)

Warning: Please check your state and local laws before installing the kit. Every state has different policies and procedures for aftermarket accessories. LEDGlow is not responsible for any fines that you may receive while using the underbody kit. This kit is for off road use only.

Warning: The installation of this kit is recommended to be installed by a licensed professional. The improper installation of this kit will void all warranties.

The Distribution Block must be installed in a dry location! Having this part exposed to water or the elements will cause the kit's controller to fail. Any water damage or corrosion to this part will VOID all warranties.

Please read the following instructions thoroughly before installing your kit.

1. Arrange the tubes out on the ground the way you plan to install them on the vehicle. Test the kit to ensure proper functionality before installing.
2. **Before mounting the tubes, please refer to the system schematic later on in the directions, to ensure the correct placement and directions of the tubes. If these are not correct, the lighting patterns will not display correctly and will not be uniform.**
3. Raise and support the vehicle if necessary. (Optional)
4. Start with the front tube and mount it with plenty of clearance from heat and moving parts. Make sure that the wires are not near the fan or exhaust. Leave at least 10 inches between the exhaust and the tube. Also be sure to keep all wires and tubes away from any suspension parts. You can use the provided mounting brackets or use wire ties to hold the tubes up in place. If you use the provided brackets use a wire tire to secure the tube to the bracket.
IMPORTANT: DO NOT DRILL HOLES OR ATTACH MOUNTING BRACKETS WITH SCREWS TO THE RADIATOR.
5. Mount the side tubes to the vehicle. A good location is the pinch weld or side skirt. Be aware of the location of brake lines and fuel lines. Do not mount the tube too close to the exhaust. Leave at least 10 inches between the exhaust and the tube. Also be sure to keep all wires and tubes away from any suspension parts. You can use the provided mounting brackets or use wire ties to hold the tubes up in place. If you use the provided brackets, use a wire tire to secure the tube to the bracket.

6. Mount the back tube last, and leave plenty of clearance from heat such as the exhaust. Leave at least 10 inches between the exhaust and the tube. Also be sure not to mount the tube to any suspension parts. You can use the provided mounting brackets or use wire ties to hold the tubes up in place. If you use the provided brackets, use a wire tire to secure the tube to the bracket.
7. Find a safe, secure, and dry position to mount the control box. We recommend mounting the control box inside the car if possible and running the distributor cable through the firewall. If this is not possible then we suggest putting the box under the hood in the driest place available. The control box is not designed to be mounted under the hood and will void the warranty if it is not mounted inside the cabin of the vehicle. (It may be necessary to apply a coating of silicon on the seams of the box to seal it.)
8. Hook the red wire up to a 12 volt source. Be sure to only use a 14 or 16 gauge automotive grade wire if you need to extend the power wire. If you are running the wire to the battery it must go through the firewall by using an existing grommet or by drilling a hole and adding a new grommet which is available at any auto parts store. Be sure to install a fuse within 6 inches of the power source. **(Fuse is not included if you have to extend the wires.)** If you hook it up to a switched source then it may not remember the color and pattern it was last on. If you hook it up to a constant source it will remember the last color and pattern it was on. **The kit will stay on until you turn it off. Do not run the wire through the door jam or the wire could be pinched and could create future problems.** If you are running the wire to the fuse block, LEDGlow recommends that you install the wire using an “add a circuit” which is available online at www.LEDGlow.com or at any auto parts store as well.
9. Hook the black wire up to a good ground source under the dash at a main bracket or grounding block. If it is under the hood you can go directly to the battery or any engine ground.
10. Next, mount the junction cable on the firewall away from heat and dry location. The junction must be mounted away from all weather conditions. **Corrosion to the junction cable will void all warranties and may cause controller failure.**
11. Starting with the rear tube, run the wire to the location of the distributor cable. Make sure to secure the wires tightly when going around any suspension parts and exhaust. Leave at least 10 inches between the exhaust and the tube. Also be sure to keep all wires and tubes away from any suspension parts. If a wire is pinched, the kit

- may malfunction and could void the warranty. Run the wire along one of the side tubes and make sure to secure it tightly. Then run the side tube wires to the junction cable followed by the front tube wire.
12. Once again make sure that the wire is not mounted to anything that is going to heat up or move. Any excess will have to be bound up and secured tightly.
 13. **DO NOT SHORTEN OR CUT THE WIRES. You will destroy the kit and void the warranty.**
 14. Lower the vehicle if it was raised and test out your new kit.
 15. With the vehicle on the ground, turn the steering wheel as far as it can go in both directions to ensure that there will be no tubes and or wires coming in contact with the tire as you are going down the road. If a tube or wire is damaged by the tire the warranty will be voided.

Kit Contents:

4PC Kit:

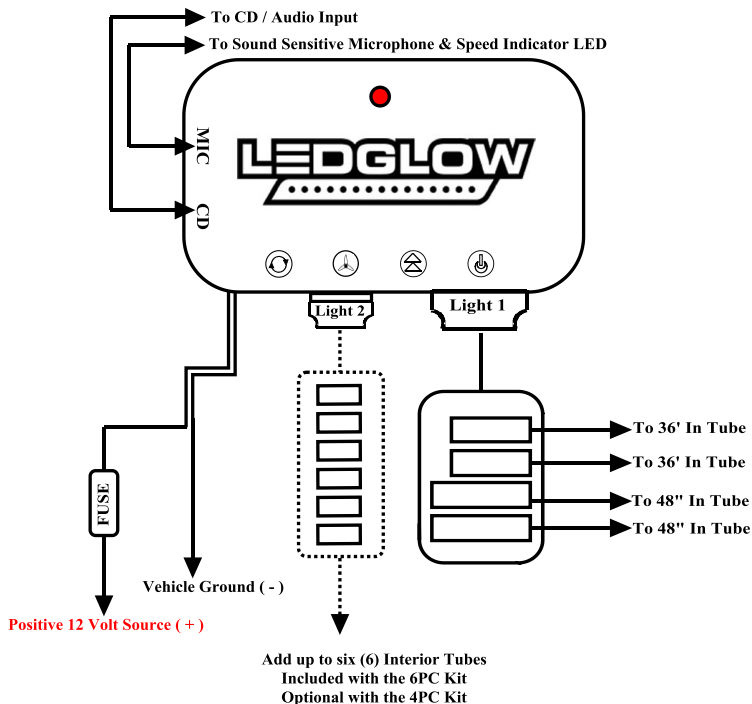
- A. (2) 48 INCH EXTERIOR LED TUBES
(2) 36 INCH EXTERIOR LED TUBES
- B. (1) MAIN CONTROL UNIT
- C. (1) WIRELESS REMOTE CONTROL UNIT
- D. (1) UNDERBODY DISTRIBUTION CABLE
- E. MOUNTING CLIPS AND WIRE MOUNTS

6PC (ONLY)

- F. (1) INTERIOR DISTRIBUTION CABLE
- G. (2) 15 INCH INTERIOR LED TUBES

Optional Interior Expansion Kit

If you have a 4pc kit and your control box has an extra port labeled "Light 2" (see diagram) an optional interior kit can be added to your kit. The interior kit allows you to have up to 6 optional interior tubes in addition to your 4 exterior. These will not follow the chase or flash patterns of the outside tubes. Tubes can be purchased in 9" or 15" in length and are available at our website www.LEDGLow.com



Description

- On the control box there are 2 connectors labeled Light 1 and Light 2.
 - Light 1 Cable connects the 2 - 36 inch and 2 - 48 Inch underbody tubes to the controller.
 - Light 2 Cable is only included if you purchased the 6pc kit. It is an additional cable that connects up to 6 interior tubes (2 are included with your 6pc kit). This product is available for purchase at www.LEDGlow.com if you already own a 4PC kit.
- The red LED pattern / speed display module is also a microphone and should be connected to the MIC port on the controller for sound activated operation and pattern speed viewing.
- On the control box there is a CD port which you can hook up the 1/8th spliced end audio adapter to an external audio source. Black is Ground and White is Positive. This setting allows your tubes to beat to the music perfectly instead of using pickup located in the MIC module.



Wireless Remote Operation

On the remote there are 4 buttons.

- Button 1 is the power button.
- Button 2 controls the speed of the pattern and the sensitivity while it is in music mode.
- Button 3 is the mode button and changes the pattern.
- Button 4 changes the color.

Adding or replacing your wireless Remote

Your kit is already pre-programmed. This setup is only needed when replacing an existing remote or by adding additional remotes to your system. In order to program the remote to the control box you must turn the kit off. Press and hold the mode button on the control box while at the same time and pressing any button on the wireless remote. When the remote is programmed the control box will beep to indicate the remote and control box are synced.

You may program up to 3 remotes to each control box

For accessories, replacement parts, and / or technical support please visit www.LEDGlOW.com for more information.