

# 2pc Truck Running Board LED Light Kit

**⚠WARNING** LEDGlow is not responsible for any fines that you may receive while using this lighting kit. Please check your state and local laws before installing this LED lighting kit. Every state has different policies and procedures in place regarding aftermarket vehicle accessories. The installation of this kit is recommended to be installed by a licensed professional. The improper installation of this kit will void all warranties.

## Tools Needed

- Drill & Drill Bits
- Panel Removal Tools
- Wire Crimper
- Wire Strippers
- Test Light

## Accessories Needed

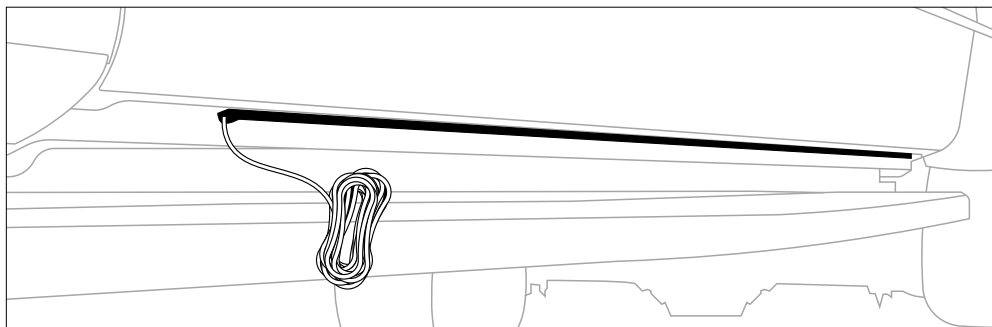
- Butt Splice Connectors
- Heat Shrink
- Alcohol prep pads

## Test for Functionality

1. Test the 2pc Truck Running Board LED Light Kit for proper functionality.
  - Connect the black ground wire to the negative battery terminal.
  - Test running light function by temporarily connecting the yellow wire to the vehicle's positive battery terminal.
  - Test turn signal function by temporarily connecting the orange wire to the vehicle's positive battery terminal.
  - Test courtesy light function by temporarily connecting the white wire to the vehicle's positive battery terminal.
  - Remove the 2pc Truck Running Board LED Light Kit from power once testing is complete.

## Mounting Location

2. Determine the mounting location of the 2pc Truck Running Board LED Light Strips such as; the pinch weld on the lower side of the rocker panel, the rocker panel, or the running board. The 2pc Truck Running Board LED Light Strips are flexible and can be contoured to fit uneven or curved surfaces. **(Optional) Raise the vehicle.**



## Mounting

3. Thoroughly clean the mounting location surface with an alcohol prep pad.

**TECH TIP :** (Optional) Use Adhesion Promoter on a clean, dry mounting location to allow for the strongest bond. Available at [www.LEDGlow.com](http://www.LEDGlow.com)

4. Mount the driver and passenger side Truck Running Board LED Light Strips.

- Ensure all wires on the 2pc Truck Running Board LED Light Strips are facing the front of the vehicle.
- Remove the double sided tape backing in sections while firmly pressing the Truck Running Board LED Light Strips to the mounting location simultaneously.

**TECH TIP :** It is not recommended to remove all double sided tape backing at once.

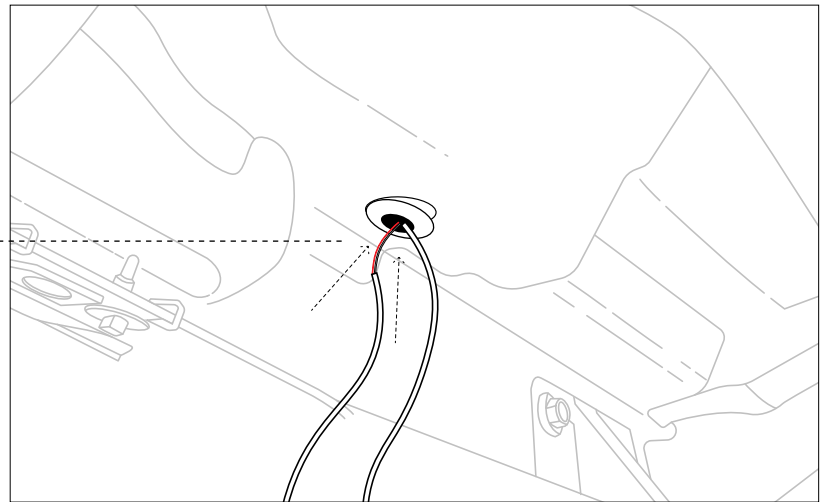
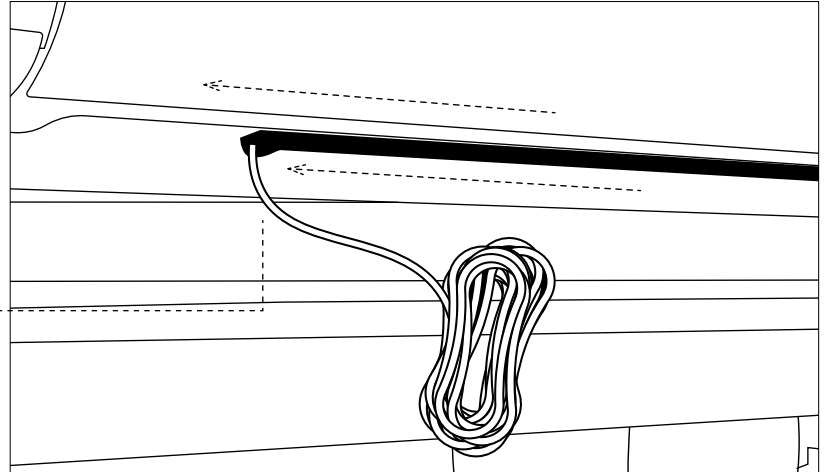
5. Use the supplied mounting brackets and screws as needed for extra mounting security.

- Line up the mounting bracket overtop of the Truck Running Board LED Light Strips and mark the intended screw locations.
- Pre-Drill pilot holes with a 3/32" drill bit.
- Using the self-tapping screws, screw the mounting brackets into place securing the Truck Running Board LED Light Strips.

6. Locate a grommet, preferably on the floor board. Route all wires into the cab of the vehicle keeping clear of moving parts or extreme heat.

7. Remove interior paneling as necessary for access to the wires.

- **Yellow Wires - Amber Running Lights**
- **Orange Wires - Amber Turn Signals**
- **White Wires - White Courtesy Lights**
- **Black Wires - Ground**



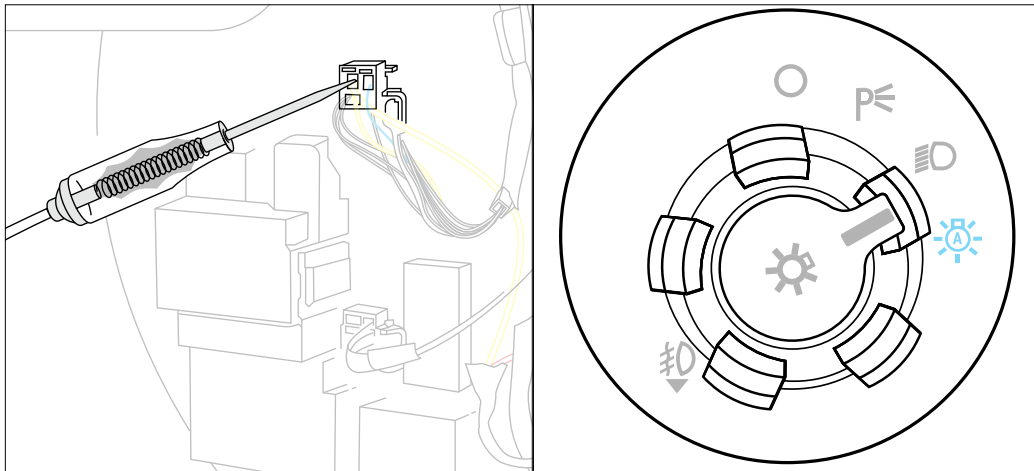
*Tech Support 856-768-5700 Ext. 2 • TechSupport@LEDGlow.com*

## ⚠ CAUTION Follow these guidelines to ensure proper function of the 2pc Truck Running Board LED Light Kit, prior to connecting any wires.

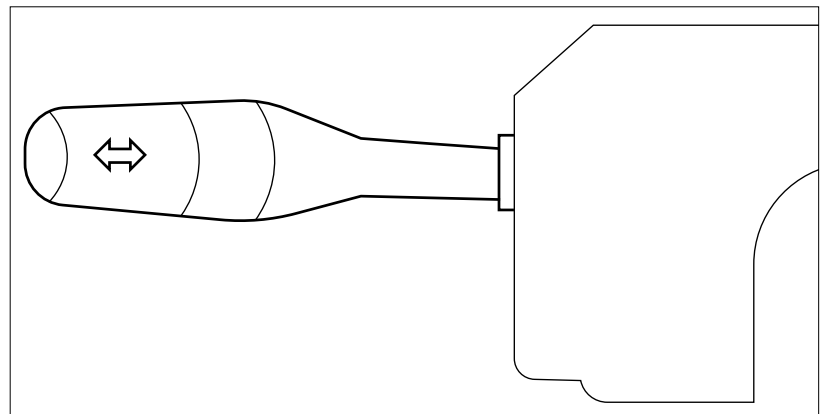
- Determine the appropriate power source for each lighting function on the vehicle using a test light or multimeter.
- When Connecting the wires to power, use proper technique when splicing, soldering, using wire taps, or the included Butt Splice Connectors.

## Connecting To Power

8. Connect the 2pc Truck Running Board LED Light Kit's **Yellow Wires - Dim Amber Running Lights (Side Marker Amber LED ON with Headlights)** to a 12V power source according to your preference as listed below.

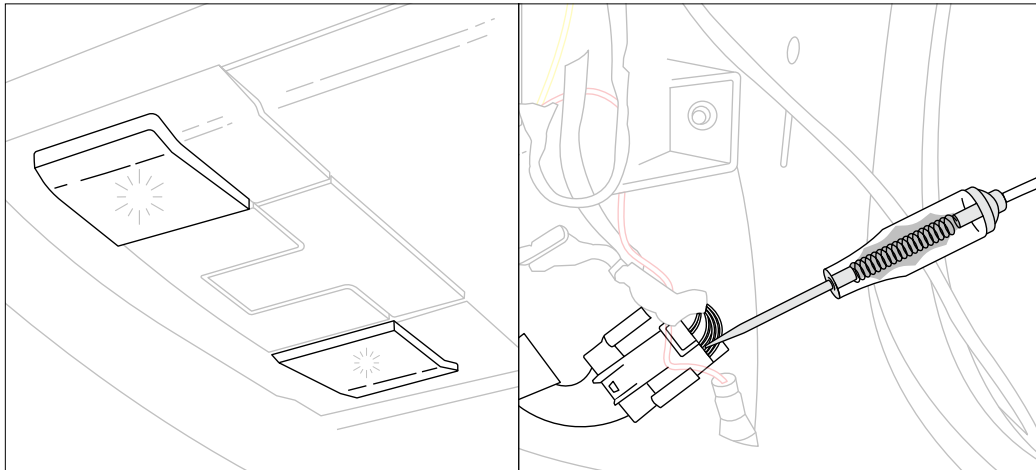


- Locate a 12V Switched Headlight Source on the vehicle.
  - Example: vehicle headlight switch, running light wire, or a source which receives 12V power ONLY when the headlights are on.
  - Some vehicles feature a 12V switched headlight fuse located in the vehicle's fuse panel which can be tapped into using an Expandable Circuit available at LEDGlow.com
- Connect the 2pc Truck Running Board LED Light Kit's **Orange Wires - Bright Amber Turn Signals (Side Marker Amber LED ON with Turn Signal and Hazard Lights)** to a 12V power source according to your preference as listed below.



Tech Support 856-768-5700 Ext. 2 • TechSupport@LEDGlow.com

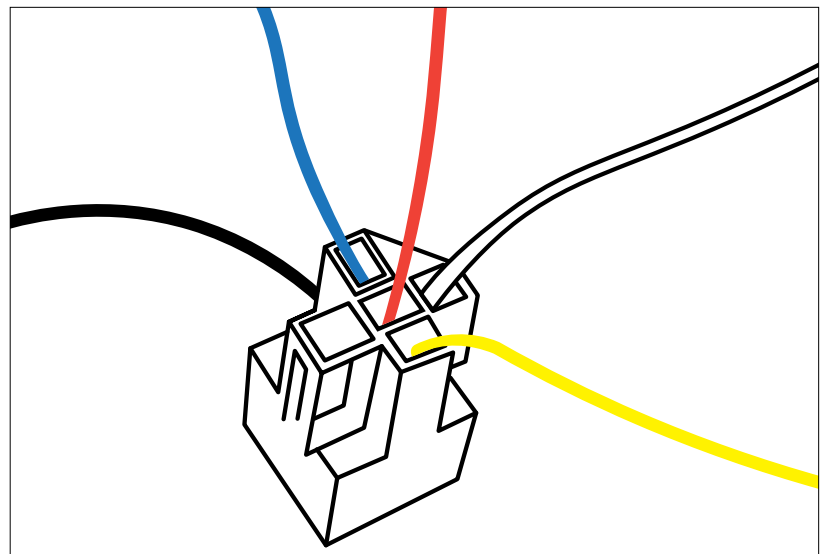
- Locate the vehicle's Driver and Passenger Side 12V Switched Turn Signal Source. Connect the Orange Wires individually from each strip accordingly.
  - Example; vehicle turn signal switch, front turn signal wires, or a source that receives 12V power ONLY when turn signals are on.
- Connect the 2pc Truck Running Board LED Light Kit's **White Wires - White Courtesy LED (Side Amber White LED ON with Dome Light)** to the vehicle's Dome Light Wire.



- Use a Service Repair Manual to locate the vehicle's Dome Light Wire.
- Test the Dome Light Wire using a test light or multimeter to verify the circuit type.
- Connect the 2pc Truck Running Board LED Light Kit's **Black Wires - Ground Source**.

**⚠WARNING:** On some applications it may be required to add a relay kit in order for the light to operate with the dome light. Some vehicles have a ground side controlled system that has constant power to the light and will then switch the ground on and off. This can be tested with a test light or multimeter. There will be power on both sides of the bulb when the light is off. As soon as the light turns on there will be power on one side and a ground source on the other.

- **If relay kit is needed:** Install an SPDT 12V style automotive relay (AE-001-1) and harness, which can be purchased at an automotive parts store. Connect pins 86 (white wire) and 30 (blue wire) together and connect to a constant power source. Connect pin 87 (yellow wire) to the white wires on the light kit. Connect pin 85 (black wire) to the vehicle's ground switching wire. Connect the light kits black wires to clean ground source. Pin 87a (red wire) is not used. (Harness wire colors may vary.)





---

# INSTALLATION GUIDE

---

Tech Support 856-768-5700 Ext. 2 • TechSupport@LEDGlow.com

## ONE YEAR NON-TRANSFERABLE LIMITED WARRANTY AND DISCLAIMER

LEDGlow Lighting, LLC (“LEDGlow”) warrants to the original retail consumer purchaser, and not any other purchaser or subsequent owner, that this Product will be free from defects in material or workmanship for a period of **one (1) year** from the purchase date. **This warranty does not cover any Product that is (1) installed incorrectly, or (2) damaged by collisions, vandalism, other accidents, or similar causes.**

For a period of one (1) year from the date of purchase, at no charge to the Purchaser, LEDGlow will repair or replace this Product if it is determined by LEDGlow to be defective. After the warranty period, the Purchaser must pay all charges for parts and labor.

Coverage under this warranty is only valid within the United States, including its territories, as well as in certain other countries. Purchasers should check our website, [www.LEDGlow.com](http://www.LEDGlow.com), to determine the warranty coverage in the countries in which they are located.

LEDGlow does **not warrant the installation** of the Product, which is the sole responsibility of the Purchaser. Installation should be done by licensed professionals. Improper installation may cause damage to the Product and any vehicle in which it is installed, and may cause burns and electrical injury to individuals. LEDGlow’s warranty does not cover any expenses incurred in removing Products that are defective or re-installing replacement Products in their place.

During the warranty period, to have the Product repaired or replaced, the Purchaser must return the Product, freight prepaid by the Purchaser, to LEDGlow (but for customers in the contiguous United States, LEDGlow will pay the shipping charges if any Product fails during the first thirty (30) days after purchase). The Product must be returned in its original carton or in a similar package affording an equal degree of protection. LEDGlow will return the repaired or replaced Product, freight prepaid, to the Purchaser. LEDGlow does not provide Purchasers with temporary replacement units during the warranty period or at any other time.

This limited warranty is non-transferable and will automatically terminate if the original retail consumer purchaser resells the Product or transfers the vehicle on which the Product is installed. An “original retail consumer purchaser” is a person who originally purchases the Product, or a gift recipient of a new Product that is in its original packaging and unopened.

## THIS LIMITED WARRANTY IS SUBJECT TO ALL OF THE FOLLOWING TERMS AND CONDITIONS:

### TERMS AND CONDITIONS

#### 1. NOTIFICATION OF CLAIMS; WARRANTY SERVICE: IF

PURCHASER BELIEVES THAT A PRODUCT IS DEFECTIVE IN MATERIAL OR WORKMANSHIP, WRITTEN NOTICE WITH AN EXPLANATION OF THE CLAIM SHALL BE GIVEN PROMPTLY BY PURCHASER TO LEDGLOW. ALL WARRANTY CLAIMS MUST BE MADE WITHIN THE WARRANTY PERIOD, AND ANY PRODUCTS RETURNED TO LEDGLOW MUST BE SHIPPED IN ACCORDANCE WITH LEDGLOW’S PROCEDURES (INCLUDING USE OF RMA NUMBERS SUPPLIED BY LEDGLOW AFTER NOTIFICATION). THE REPAIR OR REPLACEMENT OF ANY PRODUCT OR PART THEREOF SHALL NOT EXTEND THE ORIGINAL WARRANTY PERIOD. THE SPECIFIC WARRANTY ON THE REPAIRED PART ONLY SHALL BE IN EFFECT FOR A PERIOD OF NINETY (90) DAYS FOLLOWING THE REPAIR OR REPLACEMENT OF THAT PART, OR THE REMAINING PERIOD OF THE PRODUCT WARRANTY, WHICHEVER IS GREATER.

**2. EXCLUSIVE REMEDY; ACCEPTANCE:** PURCHASER’S EXCLUSIVE REMEDY AND LEDGLOW’S SOLE OBLIGATION IS TO SUPPLY (OR PAY FOR) ALL LABOR NECESSARY TO REPAIR ANY PRODUCT FOUND TO BE DEFECTIVE WITHIN THE WARRANTY PERIOD AND TO SUPPLY NEW OR REBUILT REPLACEMENTS FOR DEFECTIVE PARTS. LEDGLOW WILL REFUND THE PURCHASE PRICE FOR SUCH

PRODUCT ONLY IF REPAIR OR REPLACEMENT FAILS TO REMEDY THE DEFECT. PURCHASER’S FAILURE TO MAKE A CLAIM AS PROVIDED IN PARAGRAPH 1 ABOVE OR CONTINUED USE OF THE PRODUCT SHALL CONSTITUTE AN UNQUALIFIED ACCEPTANCE OF SUCH PRODUCT AND A WAIVER BY PURCHASER OF ALL CLAIMS THERETO.

**3. EXCEPTIONS TO LIMITED WARRANTY:** LEDGLOW SHALL HAVE NO OBLIGATION TO PURCHASER WITH RESPECT TO ANY PRODUCT THAT IS SUBJECTED TO ANY OF THE FOLLOWING: ABUSE, IMPROPER USE, NEGLIGENCE, ACCIDENT, MODIFICATION, FAILURE TO FOLLOW THE OPERATING PROCEDURES OUTLINED IN THE USER’S MANUAL, FAILURE TO FOLLOW THE MAINTENANCE PROCEDURES IN THE SERVICE MANUAL FOR THE PRODUCT, ATTEMPTED REPAIR BY NON-QUALIFIED PERSONNEL, OPERATION OF THE PRODUCT OUTSIDE OF THE PUBLISHED ENVIRONMENTAL AND ELECTRICAL PARAMETERS, OR IF THE PRODUCT’S ORIGINAL IDENTIFICATION (TRADEMARK, SERIAL NUMBER) MARKINGS HAVE BEEN DEFACED, ALTERED, OR REMOVED. LEDGLOW EXCLUDES FROM WARRANTY COVERAGE PRODUCTS SOLD AS IS AND/OR WITH ALL FAULTS. LEDGLOW ALSO EXCLUDES FROM WARRANTY COVERAGE ANY CONSUMABLE ITEMS SUCH AS FUSES AND BATTERIES.



---

## INSTALLATION GUIDE

---

*Tech Support 856-768-5700 Ext. 2 • TechSupport@LEDGlow.com*

All software and accompanying documentation furnished with, or as part of the Product is furnished "AS IS" (i.e., without any warranty of any kind), except where expressly provided otherwise in any documentation or license agreement furnished with the Product.

**PROOF OF PURCHASE; REGISTRATION:** The Purchaser's dated bill of sale must be retained as evidence of the date of purchase and to establish warranty eligibility. Registration of any Product or of this limited warranty is voluntary, and failure to register will not diminish any rights available under this warranty.

### **DISCLAIMER OF WARRANTY**

EXCEPT FOR THE FOREGOING WARRANTIES, LEDGLOW HEREBY DISCLAIMS AND EXCLUDES ALL OTHER WARRANTIES, EXPRESS OR IMPLIED, INCLUDING, BUT NOT LIMITED TO ANY IMPLIED WARRANTIES OF MERCHANTABILITY, FITNESS FOR A PARTICULAR PURPOSE, OR ANY WARRANTY WITH REGARD TO ANY CLAIM OF INFRINGEMENT THAT MAY BE PROVIDED IN SECTION 2-312(3) OF THE UNIFORM COMMERCIAL CODE OR IN ANY OTHER STATE STATUTE.

### **LIMITATION OF LIABILITY**

THE LIABILITY OF LEDGLOW, IF ANY, AND PURCHASER'S SOLE AND EXCLUSIVE REMEDY FOR DAMAGES FOR ANY CLAIM OF ANY KIND WHATSOEVER, REGARDLESS OF THE LEGAL THEORY AND WHETHER ARISING IN TORT OR CONTRACT, SHALL NOT BE GREATER THAN THE ACTUAL PURCHASE PRICE OF THE PRODUCT FOR WHICH SUCH CLAIM IS MADE. IN NO EVENT SHALL LEDGLOW BE LIABLE TO PURCHASER FOR ANY SPECIAL, INDIRECT, INCIDENTAL, OR CONSEQUENTIAL DAMAGES OF ANY KIND INCLUDING, BUT NOT LIMITED TO, COMPENSATION, REIMBURSEMENT OR DAMAGES ON ACCOUNT OF THE LOSS OF PRESENT OR PROSPECTIVE PROFITS OR FOR ANY OTHER REASON WHATSOEVER.

**GOVERNING LAW:** This non-transferable limited warranty shall be governed by the law of the State of New Jersey, U.S.A., and the United States of America, excluding their conflicts of laws principles. The courts of Camden County, New Jersey, shall have the exclusive jurisdiction over any legal action with respect to this warranty.

This limited warranty gives specific legal rights. You may also have other rights that may vary from state to state or from country to country. Some states or countries do not allow the exclusion or limitation of incidental or consequential damages, so the above limitations and exclusions may not apply to you. You are advised to consult applicable state or country laws for a full determination of rights.