

# 2pc LED Tailgate Light Bar Installation Guide

**⚠ WARNING** : LEDGlow is not responsible for any fines that you may receive while using this lighting kit. Please check your state and local laws before installing this LED lighting kit. Every state has different policies and procedures in place regarding aftermarket vehicle accessories. The installation of this kit is recommended to be installed by a licensed professional. The improper installation of this kit will void all warranties.

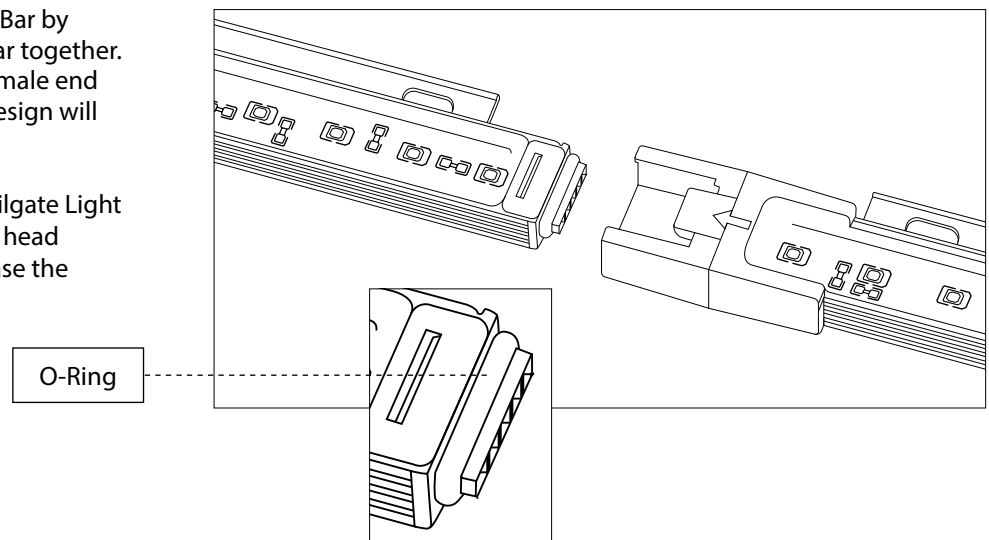
## Tools Needed

- Alcohol prep pads
- Zip Ties
- Electrical tape
- Cordless Drill
- Phillips head #2 Drill Bit
- 7/64" Drill Bit
- Ratchet
- Socket set (variety sizes)
- Test light
- Pliers
- Tape Measure (recommended)
- Marker (recommended)
- Wire strippers (if hard-wiring)
- Splice connectors (if hard-wiring)
- Wire crimpers (if hard-wiring)

## Lightbar Assembly

1. Assemble the 2pc LED Tailgate Light Bar by joining the two halves of the Light Bar together. Confirm the O-Ring is seated on the male end of the connector. The interlocking design will lock into place.

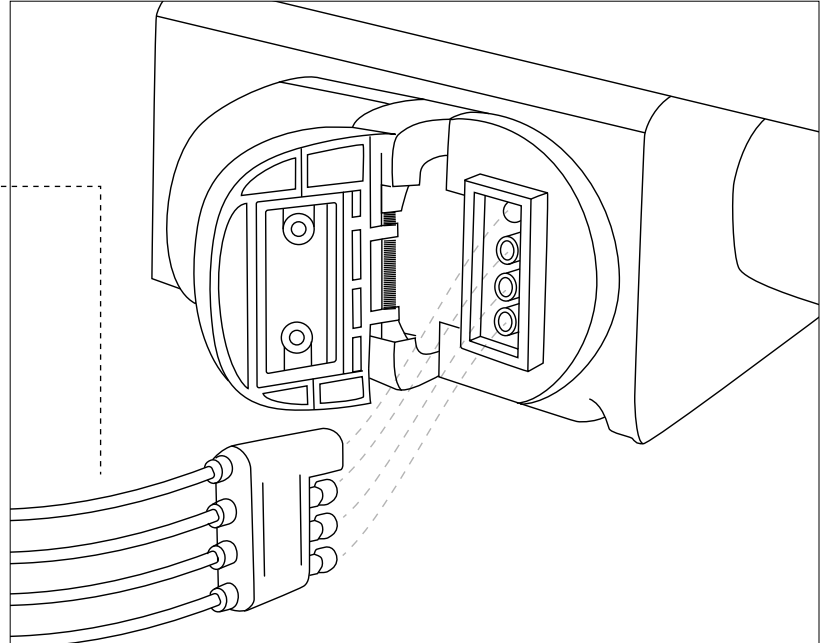
**# TECH TIP** : If disassembly of the Tailgate Light Bar is required, use a flat head screwdriver to help release the retainer clip.



### Test Your Kit

2. We recommend that you power and test your kit with a 12V power source for full functionality prior to installation.

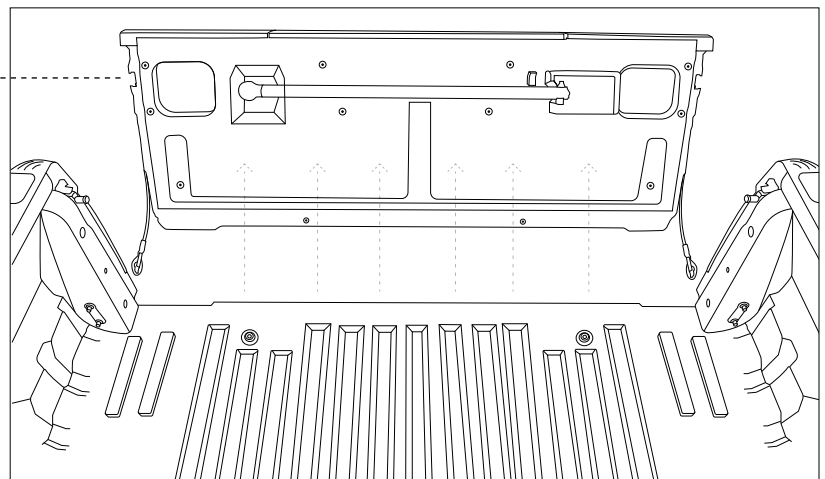
- Test power and function of LEDs by connecting the Flat 4 Pin Wire Connector to a trailer tow harness.
- If the vehicle is equipped with a 7 pin trailer connector, a 4 pin adapter is required. If a trailer harness is not available, test power by performing the following steps:
  - o Use wire cutters to cut off the Flat 4 Pin Trailer connector.
  - o Connect the white ground wire to the negative side on the battery.
  - o **Wiring Diagram can be found on page 4**
  - o Then, connect each of the remaining wires one by one to the positive side of the battery to ensure all LED's and functions are working correctly.
  - o Remove the Tailgate Light Bar from power once testing is complete.



### Mounting

3. Mount the Tailgate Light Bar.

- Remove the truck tailgate, if possible
- Prep the mounting surface on the truck and the back of the LED Light Bar by thoroughly cleaning with an alcohol prep pad.

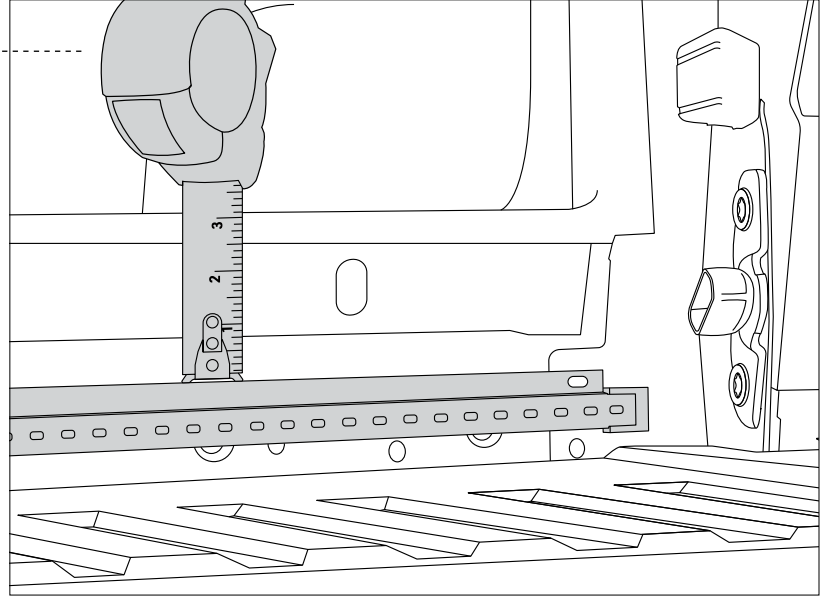


*Tech Support 856-768-5700 Ext. 2 • TechSupport@LEDGlow.com*

- Using a tape measure and marker, mark mounting locations on the truck for the Tailgate Light Bar to ensure it is level and positioned evenly.
- Peel off the protective backing on the double-sided adhesive mounting pads. Evenly adhere 2 pieces per side to the back of the Tailgate Light Bar.

**TECH TIP:** Use Adhesion Promoter on adhesive contact areas to allow for the strongest bond available at [www.LEDGlow.com](http://www.LEDGlow.com)

- Align the LED Tailgate Light Bar with the marks created on the truck and connect to the wires on the driver side of the truck.
- Press the Light Bar onto the mounting surface.
- Drill pilot holes through the mounting slots on the light bar using a 7/64" drill bit.
- Screw the self-tapping screws into the pilot holes.



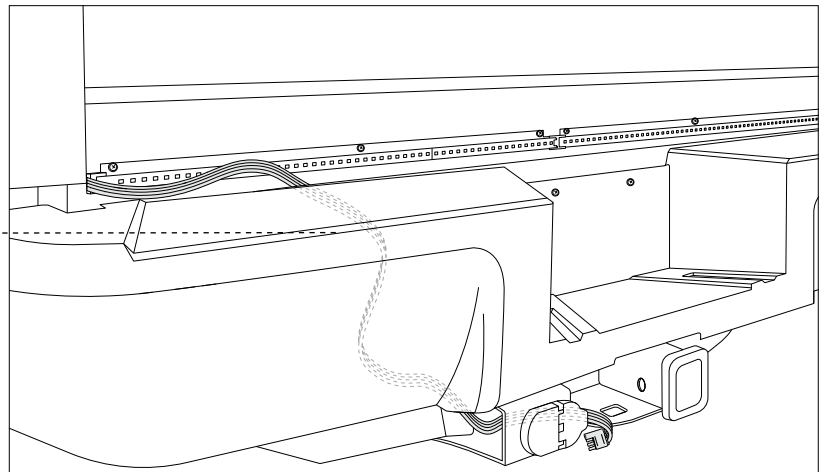
## Connecting To Power

4. Connect the Tailgate Light Bar to power by choosing your preferred power option: Then proceed to Step 5 to wire the Reverse Light.

### Flat 4-Pin Connector Power Option

- Plug in the flat 4 pin wire connector to a trailer tow harness. Routing the wires behind the rear bumper to hide them.

**TECH TIP :** Dielectric Grease is suggested to provide a barrier to reduce corrosion. Apply a small amount of Dielectric Grease across the female connection points of the 4 Pin Trailer Connector on both the LED Tailgate Bar and the truck.



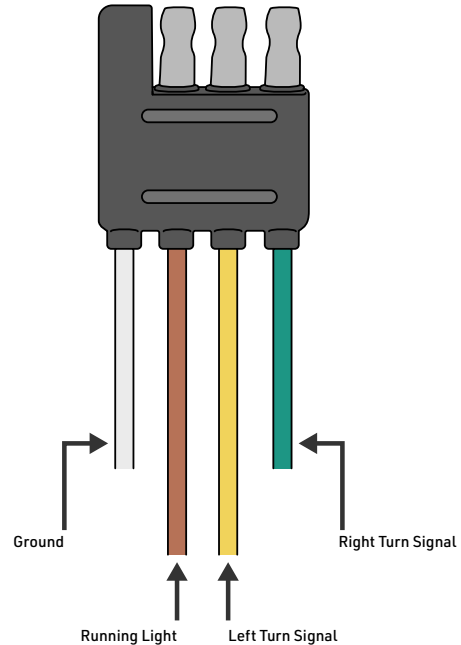
- Use a Y-Splitter harness to allow for (2) trailer tow harnesses, available at [www.LEDGlow.com](http://www.LEDGlow.com).

*Tech Support 856-768-5700 Ext. 2 • TechSupport@LEDGlow.com*

## Hardwiring Power Option

White Wire – Ground  
 Brown Wire – Running Light  
 Yellow Wire – Left Turn Signal  
 Green Wire – Right Turn Signal  
 White Wire w/ Spade Connector - Reverse Light

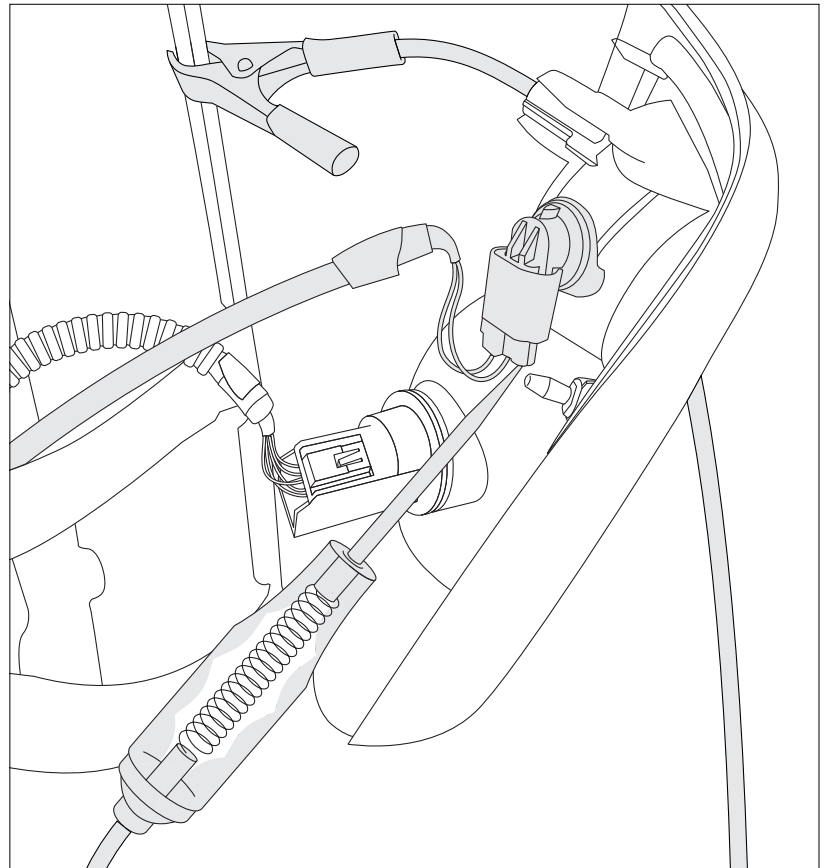
- Use wire cutters to cut off the Flat 4 Pin Trailer connector.
- Connect the Light Bar White Ground Wire to a reliable unpainted ground source.
- Refer to the LED Light Bar wire schematics depicted above. Connect each wire from the Light Bar accordingly to the vehicle source wires. Use proper technique such



## Reverse Light Wire

as wiretaps, soldering or splicing.

5. Connect the White Reverse Light Wire to the truck reverse light 12 volt power source.
  - Peel the additional White Reverse Light Wire from the wire harness, then run the lead power harness through the bumper and place it into the 4 Pin Trailer Connector on the back side of the truck.
  - To enable the reverse light feature, place the vehicle in reverse so the reverse lights are illuminated. Remove the driver's side tail light to gain access to the tail light wiring. Using the test light, located the 12 Volt power wire for the reverse light.
  - Clamp the wiretap onto the truck's Reverse Light Wire. Insert the spade connector from the LED Light Bar Reverse Wire into the wiretap.
6. Reassemble truck components as necessary, such as the tailgate or tail lights.
7. Secure any excess wire with zip ties. Confirm connections are secure and check for proper function of the LED Tailgate Light Bar.





---

# INSTALLATION GUIDE

---

Tech Support 856-768-5700 Ext. 2 • TechSupport@LEDGlow.com

## ONE YEAR NON-TRANSFERRABLE LIMITED WARRANTY AND DISCLAIMER

LEDGlow Lighting, LLC (“LEDGlow”) warrants to the original retail consumer purchaser, and not any other purchaser or subsequent owner, that this Product will be free from defects in material or workmanship for a period of **one (1) year** from the purchase date. **This warranty does not cover any Product that is (1) installed incorrectly, or (2) damaged by collisions, vandalism, other accidents, or similar causes.**

For a period of one (1) year from the date of purchase, at no charge to the Purchaser, LEDGlow will repair or replace this Product if it is determined by LEDGlow to be defective. After the warranty period, the Purchaser must pay all charges for parts and labor.

Coverage under this warranty is only valid within the United States, including its territories, as well as in certain other countries. Purchasers should check our website, [www.LEDGlow.com](http://www.LEDGlow.com), to determine the warranty coverage in the countries in which they are located.

LEDGlow does **not warrant the installation** of the Product, which is the sole responsibility of the Purchaser. Installation should be done by licensed professionals. Improper installation may cause damage to the Product and any vehicle in which it is installed, and may cause burns and electrical injury to individuals. LEDGlow’s warranty does not cover any expenses incurred in removing Products that are defective or re-installing replacement Products in their place.

During the warranty period, to have the Product repaired or replaced, the Purchaser must return the Product, freight prepaid by the Purchaser, to LEDGlow (but for customers in the contiguous United States, LEDGlow will pay the shipping charges if any Product fails during the first thirty (30) days after purchase). The Product must be returned in its original carton or in a similar package affording an equal degree of protection. LEDGlow will return the repaired or replaced Product, freight prepaid, to the Purchaser. LEDGlow does not provide Purchasers with temporary replacement units during the warranty period or at any other time.

This limited warranty is non-transferrable and will automatically terminate if the original retail consumer purchaser resells the Product or transfers the vehicle on which the Product is installed. An “original retail consumer purchaser” is a person who originally purchases the Product, or a gift recipient of a new Product that is in its original packaging and unopened.

## THIS LIMITED WARRANTY IS SUBJECT TO ALL OF THE FOLLOWING TERMS AND CONDITIONS:

### TERMS AND CONDITIONS

#### 1. NOTIFICATION OF CLAIMS; WARRANTY SERVICE: IF

PURCHASER BELIEVES THAT A PRODUCT IS DEFECTIVE IN MATERIAL OR WORKMANSHIP, WRITTEN NOTICE WITH AN EXPLANATION OF THE CLAIM SHALL BE GIVEN PROMPTLY BY PURCHASER TO LEDGLOW. ALL WARRANTY CLAIMS MUST BE MADE WITHIN THE WARRANTY PERIOD, AND ANY PRODUCTS RETURNED TO LEDGLOW MUST BE SHIPPED IN ACCORDANCE WITH LEDGLOW’S PROCEDURES (INCLUDING USE OF RMA NUMBERS SUPPLIED BY LEDGLOW AFTER NOTIFICATION). THE REPAIR OR REPLACEMENT OF ANY PRODUCT OR PART THEREOF SHALL NOT EXTEND THE ORIGINAL WARRANTY PERIOD. THE SPECIFIC WARRANTY ON THE REPAIRED PART ONLY SHALL BE IN EFFECT FOR A PERIOD OF NINETY (90) DAYS FOLLOWING THE REPAIR OR REPLACEMENT OF THAT PART, OR THE REMAINING PERIOD OF THE PRODUCT WARRANTY, WHICHEVER IS GREATER.

**2. EXCLUSIVE REMEDY; ACCEPTANCE:** PURCHASER’S EXCLUSIVE REMEDY AND LEDGLOW’S SOLE OBLIGATION IS TO SUPPLY (OR PAY FOR) ALL LABOR NECESSARY TO REPAIR ANY PRODUCT FOUND TO BE DEFECTIVE WITHIN THE WARRANTY PERIOD AND TO SUPPLY NEW OR REBUILT REPLACEMENTS FOR DEFECTIVE PARTS. LEDGLOW WILL REFUND THE PURCHASE PRICE FOR SUCH

PRODUCT ONLY IF REPAIR OR REPLACEMENT FAILS TO REMEDY THE DEFECT. PURCHASER’S FAILURE TO MAKE A CLAIM AS PROVIDED IN PARAGRAPH 1 ABOVE OR CONTINUED USE OF THE PRODUCT SHALL CONSTITUTE AN UNQUALIFIED ACCEPTANCE OF SUCH PRODUCT AND A WAIVER BY PURCHASER OF ALL CLAIMS THERETO.

**3. EXCEPTIONS TO LIMITED WARRANTY:** LEDGLOW SHALL HAVE NO OBLIGATION TO PURCHASER WITH RESPECT TO ANY PRODUCT THAT IS SUBJECTED TO ANY OF THE FOLLOWING: ABUSE, IMPROPER USE, NEGLIGENCE, ACCIDENT, MODIFICATION, FAILURE TO FOLLOW THE OPERATING PROCEDURES OUTLINED IN THE USER’S MANUAL, FAILURE TO FOLLOW THE MAINTENANCE PROCEDURES IN THE SERVICE MANUAL FOR THE PRODUCT, ATTEMPTED REPAIR BY NON-QUALIFIED PERSONNEL, OPERATION OF THE PRODUCT OUTSIDE OF THE PUBLISHED ENVIRONMENTAL AND ELECTRICAL PARAMETERS, OR IF THE PRODUCT’S ORIGINAL IDENTIFICATION (TRADEMARK, SERIAL NUMBER) MARKINGS HAVE BEEN DEFACED, ALTERED, OR REMOVED. LEDGLOW EXCLUDES FROM WARRANTY COVERAGE PRODUCTS SOLD AS IS AND/OR WITH ALL FAULTS. LEDGLOW ALSO EXCLUDES FROM WARRANTY COVERAGE ANY CONSUMABLE ITEMS SUCH AS FUSES AND BATTERIES.



---

## INSTALLATION GUIDE

---

*Tech Support 856-768-5700 Ext. 2 • TechSupport@LEDGlow.com*

All software and accompanying documentation furnished with, or as part of the Product is furnished "AS IS" (i.e., without any warranty of any kind), except where expressly provided otherwise in any documentation or license agreement furnished with the Product.

**PROOF OF PURCHASE; REGISTRATION:** The Purchaser's dated bill of sale must be retained as evidence of the date of purchase and to establish warranty eligibility. Registration of any Product or of this limited warranty is voluntary, and failure to register will not diminish any rights available under this warranty.

### **DISCLAIMER OF WARRANTY**

EXCEPT FOR THE FOREGOING WARRANTIES, LEDGLOW HEREBY DISCLAIMS AND EXCLUDES ALL OTHER WARRANTIES, EXPRESS OR IMPLIED, INCLUDING, BUT NOT LIMITED TO ANY IMPLIED WARRANTIES OF MERCHANTABILITY, FITNESS FOR A PARTICULAR PURPOSE, OR ANY WARRANTY WITH REGARD TO ANY CLAIM OF INFRINGEMENT THAT MAY BE PROVIDED IN SECTION 2-312(3) OF THE UNIFORM COMMERCIAL CODE OR IN ANY OTHER STATE STATUTE.

### **LIMITATION OF LIABILITY**

THE LIABILITY OF LEDGLOW, IF ANY, AND PURCHASER'S SOLE AND EXCLUSIVE REMEDY FOR DAMAGES FOR ANY CLAIM OF ANY KIND WHATSOEVER, REGARDLESS OF THE LEGAL THEORY AND WHETHER ARISING IN TORT OR CONTRACT, SHALL NOT BE GREATER THAN THE ACTUAL PURCHASE PRICE OF THE PRODUCT FOR WHICH SUCH CLAIM IS MADE. IN NO EVENT SHALL LEDGLOW BE LIABLE TO PURCHASER FOR ANY SPECIAL, INDIRECT, INCIDENTAL, OR CONSEQUENTIAL DAMAGES OF ANY KIND INCLUDING, BUT NOT LIMITED TO, COMPENSATION, REIMBURSEMENT OR DAMAGES ON ACCOUNT OF THE LOSS OF PRESENT OR PROSPECTIVE PROFITS OR FOR ANY OTHER REASON WHATSOEVER.

**GOVERNING LAW:** This non-transferrable limited warranty shall be governed by the law of the State of New Jersey, U.S.A., and the United States of America, excluding their conflicts of laws principles. The courts of Camden County, New Jersey, shall have the exclusive jurisdiction over any legal action with respect to this warranty.

This limited warranty gives specific legal rights. You may also have other rights that may vary from state to state or from country to country. Some states or countries do not allow the exclusion or limitation of incidental or consequential damages, so the above limitations and exclusions may not apply to you. You are advised to consult applicable state or country laws for a full determination of rights.