



Tech Support 856-768-5700 Ext. 2 • TechSupport@LEDGlow.com

## Flexible Single Color Slimline Underbody Kit

**Warning:** Please check your state and local laws before installing this LED underbody kit. Every state has different policies and procedures in place regarding aftermarket vehicle accessories. LEDGlow is not responsible for any fines that you may receive while using this underbody kit. This kit is for off road use only.

**Warning:** The installation of this kit is recommended to be installed by a licensed professional. The improper installation of this kit will void all warranties.

The power switch that is used to power the underbody strips must be installed in a dry location inside of the vehicle! Having this part exposed to water or the elements will cause the kit's switch to fail. Any water damage or corrosion to this part will VOID all warranties.

PLEASE READ THE FOLLOWING INSTRUCTIONS THOROUGHLY BEFORE INSTALLING AND OPERATING THIS LED UNDERBODY KIT.

### Underbody Kit Includes:

- (2) 30 Inch Flexible Strips
- (2) 48 Inch Flexible Strips
- Power Switch Control Box
- Wireless Remote
- Double Sided Tape
- Male Connector Endcap
- Female Connector Endcap
- Underbody Strip Brackets
- Zip Ties
- Screws

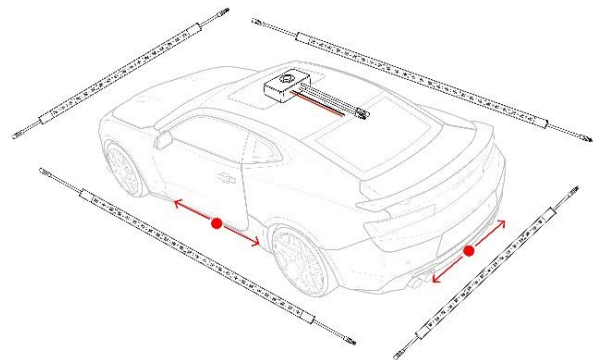
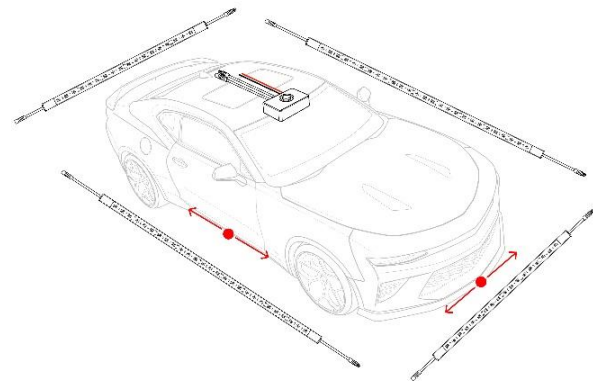
1. **This kit can safely hold UP TO (3) 24 inch, (2) 30 inch and (2) 48 inch strips. Be sure that the total amount of strips on this system are evenly split between the two channels from the power switch.**
2. Temporarily power your kit with any 12-volt source to ensure it is functioning properly before you move forward with the installation. Simply connect the red wire from the power switch to the positive terminal on the vehicle's battery and the black wire from the power switch to any good ground source. Power the kit and once you have determined it is functioning properly, remove power from the kit.
3. **Before mounting the underbody strips, please refer to the schematic. The underbody strips on this kit must be installed in a specific way. This ensures all lighting patterns are properly synchronized and displayed correctly.**

**Note:** There is a male and a female plug coming out of the power switch. Ensure that you have the female plug from the power switch plugged into the male end of the driver side strip and the male plug from the power switch plugged into the female end of the front strip. Each underbody strip daisy chains to the next with the included 6 feet of power wire and modular connectors.

**Note:** There will be 2 ends that require connector endcaps.

Do not connect the 2 unused ends together

4. Once the kit is laid out and you have determined the kit is functioning properly, you can proceed with the rest of the installation.
5. **Optional:** Raise and support the vehicle.
6. **Be extremely aware of the location of the brake lines and fuel lines and do not mount any of the underbody strips too close to the exhaust. Leave at least 8 inches between the exhaust and the underbody strips. Keep the strips and the power wires away from any moving parts.**



**Note:** 3 brackets are provided for each strip, one for each end of the strips as well as one for the center of the strips.

**IMPORTANT: BE SURE TO CLEAN ALL MOUNTING SURFACES WITH AN ALCOHOL PREP PAD.**

7. Mount the front 30 inch strip to your vehicle with the female connector facing the driver side using the supplied double sided tape and mounting brackets with screws. Make sure the strip is at least 8 inches away from any direct heat source and away from all moving parts. **IMPORTANT: DO NOT MOUNT THE STRIP TO THE RADIATOR.**
8. Mount the driver side 48 inch with the male connector facing the front of the vehicle using the included mounting brackets and screws. A good mounting location for this strip is to either the pinch weld or side skirt.
9. Mount the rear 30-inch strip with the male connector facing the driver side of the vehicle using the included mounting brackets and screws.



Tech Support 856-768-5700 Ext. 2 • TechSupport@LEDGlow.com

10. Mount the passenger side 48 inch strip with the female connector facing the front of the vehicle using the included mounting brackets and screws. A good mounting location for this strip is to either the pinch weld or side skirt.
11. Mount the underbody kit's power switch in a safe and secure location inside of your vehicle. Run the lead power wire from the front underbody strip through a pre-existing hole with a grommet in your firewall to power the power switch. If you do not have a pre-existing hole in your firewall, you can drill one, but just be sure to add a rubber grommet to ensure the lead wire is not cut or pinched.
12. This underbody kit's power switch can be powered one of two ways:
  - Connect the red power wire to any 12-volt source. If you need to extend the power wires, be sure to only use 16- or 18-gauge automotive grade wire. If you are running the power wire to the battery, it must go through the firewall by using an existing grommet or by drilling a hole and adding a new grommet, which is available at any auto parts store. Be sure to install a fuse within 6 inches of the power source. If you connect the power wire to a switched 12-volt source, the underbody kit will turn on and off with that source if the power switch is left on.
  - This underbody kit can also be powered directly from your vehicle's fuse box. If you are powering the kit via the fuse box, we recommend that you install the wire using LEDGlow's Expandable Circuit, which is available at [www.LEDGlow.com](http://www.LEDGlow.com).
13. Connect the black wire to a good, unpainted ground source. A couple of good ground sources are under the dash at any main bracket or grounding block, the negative post on your battery, or any engine ground.
14. Run the male lead wire from the driver side underbody strip through a pre-existing hole with a grommet in your firewall to the power switch and plug it in. If you do not have a pre-existing hole in your firewall, you can drill one, but just be sure to add a rubber grommet to ensure the lead wire is not cut or pinched.
15. Run the female lead wire from the front underbody strip through a pre-existing hole with a grommet in your firewall to the power switch and plug it in.
16. Plug the female lead wire from the driver side 48-inch underbody strip into the male lead wire for the rear underbody strip. Make sure to secure the wires tightly when going around the suspension and/or exhaust. Leave at least 8 inches between the exhaust and underbody strip.
17. Plug the male connector endcap into the female plug of the rear strip to keep moisture out of the connector.
18. Plug the male lead wire from the front underbody strip into the female lead wire for the Passenger side 48-inch underbody strip. Make sure to secure the wires tightly when going around the suspension and/or exhaust. Leave at least 8 inches between the exhaust and underbody strip.
19. Plug the female connector endcap into the male plug of the 48-inch passenger side strip to keep moisture out of the connector.
20. Be sure to use the included zip ties to secure and mount any bundles of wires from the underbody strips under the vehicle in a safe location away from any direct heat sources or moving parts.
21. It is imperative to make sure that the wires are not mounted to any direct heat source or to any moving parts. Any excess length from the strip power wire will have to be bound up and secured tightly.
22. **DO NOT SHORTEN OR CUT ANY OF THE UNDERBODY STRIP POWER WIRES. This will destroy the kit and void all warranties.**
23. Lower the vehicle if it was raised. Power on and test the underbody kit for full functionality.
24. Once the vehicle is on the ground, turn the steering wheel as far as it can go in both directions to ensure the strips and/or wires are not coming in contact with your tires or any other moving parts.

#### Wireless Remote Operation:

##### Button A: Power Button

- This button is used to power your kit on and off.

##### Button B: Mode Change

- Pressing this button on the wireless remote allows you to select between 4 distinct modes.
  - Solid
  - Fade
  - Strobe
  - S.O.S.

##### Button C: Brightness/Speed Change Up

- Pressing this button on the wireless remote will allow you to select from five different brightness levels for your solid mode and 5 different speeds for your other chosen modes.  
**Note:** S.O.S. cannot be changed

##### Button D: Brightness/Speed Change Down

- Pressing this button on the wireless remote will allow you to select from five different brightness levels for your solid mode and 5 different speeds for your other chosen modes.  
**Note:** S.O.S. cannot be changed

#### Auto On Function Enabled:

- This feature allows you to have the kit automatically turn on anytime power is activated without the use of the remote.
- Turn the kit off. Press and hold down "C" button on the wireless remote; one channel will flash for 1 second. Then turn on the kit.

#### Auto On Function Disabled:

- Turn the kit off. Press and hold down "D" button on the wireless remote; the whole kit will flash for 3 seconds. Then, turn on the kit.

#### Wireless Remote Reprogramming:

- Press and hold the "B" button on the wireless remote within 5 seconds of connecting power to the control box. Press the "A" button to confirm the functionality of the remote. Only 1 Wireless Remote can be paired at a time.

For accessories, replacement parts and/or technical support, please visit [www.LEDGlow.com](http://www.LEDGlow.com) for more information.



## INSTALLATION GUIDE

Tech Support 856-768-5700 Ext. 2 • TechSupport@LEDGlow.com

### ONE YEAR NON-TRANSFERRABLE LIMITED WARRANTY AND DISCLAIMER

LEDGlow Lighting, LLC ("LEDGlow") warrants to the original retail consumer purchaser, and not any other purchaser or subsequent owner, that this Product will be free from defects in material or workmanship for a period of **one (1) year** from the purchase date. **This warranty does not cover any Product that is (1) installed incorrectly, or (2) damaged by collisions, vandalism, other accidents, or similar causes.**

For a period of **one (1) year** from the date of purchase, at no charge to the Purchaser, LEDGlow will repair or replace this Product if it is determined by LEDGlow to be defective. After the warranty period, the Purchaser must pay all charges for parts and labor.

Coverage under this warranty is only valid within the United States, including its territories, as well as in certain other countries. Purchasers should check our website, [www.LEDGlow.com](http://www.LEDGlow.com), to determine the warranty coverage in the countries in which they are located.

LEDGlow does **not guarantee the installation** of the Product, which is the sole responsibility of the Purchaser. Installation should be done by licensed professionals. Improper installation may cause damage to the Product and any vehicle in which it is installed and may cause burns and electrical injury to individuals. LEDGlow's warranty does not cover any expenses incurred in removing Products that are defective or re-installing replacement Products in their place.

During the warranty period, to have the Product repaired or replaced, the Purchaser must return the Product, freight prepaid by the Purchaser, to LEDGlow (but for customers in the contiguous United States, LEDGlow will pay the shipping charges if any Product fails during the first thirty (30) days after purchase). The Product must be returned in its original carton or in a similar package affording an equal degree of protection. LEDGlow will return the repaired or replaced Product, freight prepaid, to the Purchaser. LEDGlow does not provide Purchasers with temporary replacement units during the warranty period or at any other time.

This limited warranty is non-transferrable and will automatically terminate if the original retail consumer purchaser resells the Product or transfers the vehicle on which the Product is installed. An "original retail consumer purchaser" is a person who originally purchases the Product, or a gift recipient of a new Product that is in its original packaging and unopened.

This limited warranty is subject to all of the following terms and conditions:

#### TERMS AND CONDITIONS

**1. NOTIFICATION OF CLAIMS; WARRANTY SERVICE:** IF PURCHASER BELIEVES THAT A PRODUCT IS DEFECTIVE IN MATERIAL OR WORKMANSHIP, WRITTEN NOTICE WITH AN EXPLANATION OF THE CLAIM SHALL BE GIVEN PROMPTLY BY PURCHASER TO LEDGLOW. ALL WARRANTY CLAIMS MUST BE MADE WITHIN THE WARRANTY PERIOD, AND ANY PRODUCTS RETURNED TO LEDGLOW MUST BE SHIPPED IN ACCORDANCE WITH LEDGLOW'S PROCEDURES (INCLUDING USE OF RMA NUMBERS SUPPLIED BY LEDGLOW AFTER NOTIFICATION). THE REPAIR OR REPLACEMENT OF ANY PRODUCT OR PART THEREOF SHALL NOT EXTEND THE ORIGINAL WARRANTY PERIOD. THE SPECIFIC WARRANTY ON THE REPAIRED PART ONLY SHALL BE IN EFFECT FOR A PERIOD OF NINETY (90) DAYS FOLLOWING THE REPAIR OR REPLACEMENT OF THAT PART, OR THE REMAINING PERIOD OF THE PRODUCT WARRANTY, WHICHEVER IS GREATER.

**2. EXCLUSIVE REMEDY; ACCEPTANCE:** PURCHASER'S EXCLUSIVE REMEDY AND LEDGLOW'S SOLE OBLIGATION IS TO SUPPLY (OR PAY FOR) ALL LABOR NECESSARY TO REPAIR ANY PRODUCT FOUND TO BE DEFECTIVE WITHIN THE WARRANTY PERIOD AND TO SUPPLY NEW OR REBUILT REPLACEMENTS FOR DEFECTIVE PARTS. LEDGLOW WILL REFUND THE PURCHASE PRICE FOR SUCH PRODUCT ONLY IF REPAIR OR REPLACEMENT FAILS TO REMEDY THE DEFECT. PURCHASER'S FAILURE TO MAKE A CLAIM AS PROVIDED IN PARAGRAPH 1 ABOVE OR CONTINUED USE OF THE PRODUCT SHALL CONSTITUTE AN UNQUALIFIED ACCEPTANCE OF SUCH PRODUCT AND A WAIVER BY PURCHASER OF ALL CLAIMS THERETO.

**3. EXCEPTIONS TO LIMITED WARRANTY:** LEDGLOW SHALL HAVE NO OBLIGATION TO PURCHASER WITH RESPECT TO ANY PRODUCT THAT IS SUBJECTED TO ANY OF THE FOLLOWING: ABUSE, IMPROPER USE, NEGLIGENCE, ACCIDENT, MODIFICATION, FAILURE TO FOLLOW THE OPERATING PROCEDURES OUTLINED IN THE USER'S MANUAL, FAILURE TO FOLLOW THE MAINTENANCE PROCEDURES IN THE SERVICE MANUAL FOR THE PRODUCT, ATTEMPTED REPAIR BY NON-QUALIFIED PERSONNEL, OPERATION OF THE PRODUCT OUTSIDE OF THE PUBLISHED ENVIRONMENTAL AND ELECTRICAL PARAMETERS, OR IF THE PRODUCT'S ORIGINAL IDENTIFICATION (TRADEMARK, SERIAL NUMBER) MARKINGS HAVE BEEN DEFACED, ALTERED, OR REMOVED. LEDGLOW EXCLUDES FROM WARRANTY COVERAGE PRODUCTS SOLD AS IS AND/OR WITH ALL FAULTS. LEDGLOW ALSO EXCLUDES FROM WARRANTY COVERAGE ANY CONSUMABLE ITEMS SUCH AS FUSES AND BATTERIES.

All software and accompanying documentation furnished with, or as part of the Product is furnished "AS IS" (i.e., without any warranty of any kind), except where expressly provided otherwise in any documentation or license agreement furnished with the Product.

**4. PROOF OF PURCHASE; REGISTRATION:** The Purchaser's dated bill of sale must be retained as evidence of the date of purchase and to establish warranty eligibility. Registration of any Product or of this limited warranty is voluntary, and failure to register will not diminish any rights available under this warranty.

#### DISCLAIMER OF WARRANTY

EXCEPT FOR THE FOREGOING WARRANTIES, LEDGLOW HEREBY DISCLAIMS AND EXCLUDES ALL OTHER WARRANTIES, EXPRESS OR IMPLIED, INCLUDING, BUT NOT LIMITED TO ANY IMPLIED WARRANTIES OF MERCHANTABILITY, FITNESS FOR A PARTICULAR PURPOSE, OR ANY WARRANTY WITH REGARD TO ANY CLAIM OF INFRINGEMENT THAT MAY BE PROVIDED IN SECTION 2-312(3) OF THE UNIFORM COMMERCIAL CODE OR IN ANY OTHER STATE STATUTE.

#### LIMITATION OF LIABILITY

THE LIABILITY OF LEDGLOW, IF ANY, AND PURCHASER'S SOLE AND EXCLUSIVE REMEDY FOR DAMAGES FOR ANY CLAIM OF ANY KIND WHATSOEVER, REGARDLESS OF THE LEGAL THEORY AND WHETHER ARISING IN TORT OR CONTRACT, SHALL NOT BE GREATER THAN THE ACTUAL PURCHASE PRICE OF THE PRODUCT FOR WHICH SUCH CLAIM IS MADE. IN NO EVENT SHALL LEDGLOW BE LIABLE TO PURCHASER FOR ANY SPECIAL, INDIRECT, INCIDENTAL, OR CONSEQUENTIAL DAMAGES OF ANY KIND INCLUDING, BUT NOT LIMITED TO, COMPENSATION, REIMBURSEMENT OR DAMAGES ON ACCOUNT OF THE LOSS OF PRESENT OR PROSPECTIVE PROFITS OR FOR ANY OTHER REASON WHATSOEVER.

**GOVERNING LAW:** This non-transferrable limited warranty shall be governed by the law of the State of New Jersey, U.S.A., and the United States of America, excluding their conflicts of laws principles. The courts of Camden County, New Jersey, shall have the exclusive jurisdiction over any legal action with respect to this warranty.

This limited warranty gives specific legal rights. You may also have other rights that may vary from state to state or from country to country. Some states or countries do not allow the exclusion or limitation of incidental or consequential damages, so the above limitations and exclusions may not apply to you. You are advised to consult applicable state or country laws for a full determination of rights.