

4pc Flexible Million Color Slimline Add-On Wheel Well Lighting Kit

⚠WARNING: Please check your state and local laws before installing this LED lighting kit. Every state has different policies and procedures in place regarding aftermarket vehicle accessories. LEDGlow is not responsible for any fines that you may receive while using this lighting kit. This kit is for off-road use only.

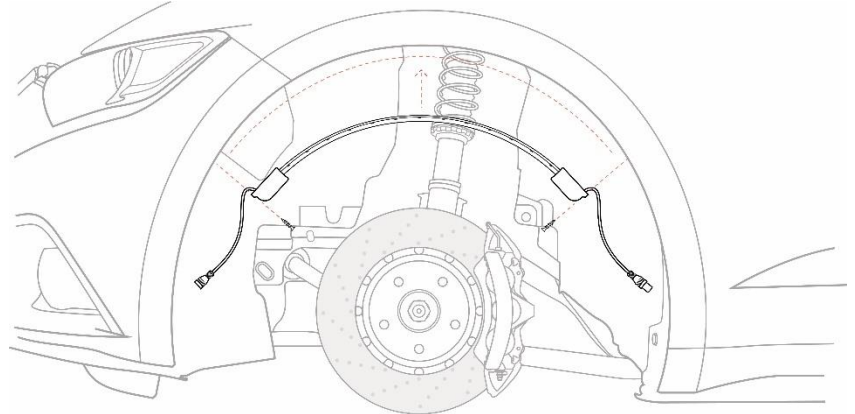
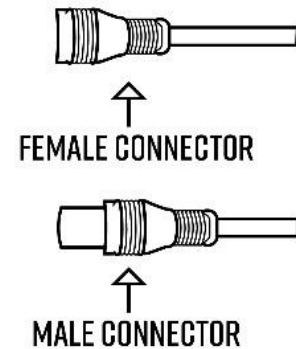
We recommend using a licensed professional for installation. The improper installation of this kit voids all warranties.

PLEASE READ THE FOLLOWING INSTRUCTIONS THOROUGHLY BEFORE INSTALLING AND OPERATING THIS ADD-ON LED LIGHTING KIT. A BASE KIT IS REQUIRED IN ORDER FOR THIS ADD-ON KIT TO FUNCTION.

Add-On Lighting Kit Includes:

- (4) 24" Flexible Tubes
- Self-Tapping Screws
- Zip-Ties

1. Arrange the tubes out on the ground and test the kit to ensure proper functionality before installing. Please take note on the plug orientation of the underbody kit so that you have the correct plugs connecting together when you are daisy chaining the Light Tubes. Be sure to connect the Male Connector from an Underbody Tube to the Female Connector of the Wheel Well Tube and then connect the Male Connector of the Wheel Well Tube to the Female Connector of the next Underbody Tube on the vehicle.
2. **Optional:** Raise and support the vehicle if necessary. Remove the vehicle's wheels if necessary.
3. Start with the driver's side tube and mount it with plenty of clearance from any heat sources, suspension and moving parts. The flexible tube can be contoured and mounted on top of the wheel or behind the strut with the included self-tapping screws.
4. Repeat Step #3 for the remaining 3 tubes. It is extremely important to ensure that the tubes do not come in contact with any heat sources, suspension and/or moving parts. Be sure to use Zip Ties to secure the wires from any heat or moving parts.
5. If you removed the vehicle's wheels, you can now reinstall them in accordance to factory specifications.
6. After the tubes have been mounted and the wheels have been reinstalled back in place, turn the steering wheel all the way to the right and left several times to ensure the tubes do not come into any contact with the wheels or any moving parts. If there is clearance between the tube and wheels, you may resume the installation.
7. Please refer to your Base Underbody Kit Instructions for connection and operation instructions.





Tech Support 856-768-5700 Ext. 2 • TechSupport@LEDGlow.com

ONE YEAR NON-TRANSFERRABLE LIMITED WARRANTY AND DISCLAIMER

LEDGlow Lighting, LLC ("LEDGlow") warrants to the original retail consumer purchaser, and not any other purchaser or subsequent owner, that this Product will be free from defects in material or workmanship for a period of **one (1) year** from the purchase date. **This warranty does not cover any Product that is (1) installed incorrectly, or (2) damaged by collisions, vandalism, other accidents, or similar causes.**

For a period of **one (1) year** from the date of purchase, at no charge to the Purchaser, LEDGlow will repair or replace this Product if it is determined by LEDGlow to be defective. After the warranty period, the Purchaser must pay all charges for parts and labor.

Coverage under this warranty is only valid within the United States, including its territories, as well as in certain other countries. Purchasers should check our website, www.LEDGlow.com, to determine the warranty coverage in the countries in which they are located.

LEDGlow does **not warrant the installation** of the Product, which is the sole responsibility of the Purchaser. Installation should be done by licensed professionals. Improper installation may cause damage to the Product and any vehicle in which it is installed, and may cause burns and electrical injury to individuals. LEDGlow's warranty does not cover any expenses incurred in removing Products that are defective or re-installing replacement Products in their place.

During the warranty period, to have the Product repaired or replaced, the Purchaser must return the Product, freight prepaid by the Purchaser, to LEDGlow (but for customers in the contiguous United States, LEDGlow will pay the shipping charges if any Product fails during the first thirty (30) days after purchase). The Product must be returned in its original carton or in a similar package affording an equal degree of protection. LEDGlow will return the repaired or replaced Product, freight prepaid, to the Purchaser. LEDGlow does not provide Purchasers with temporary replacement units during the warranty period or at any other time.

This limited warranty is non-transferrable and will automatically terminate if the original retail consumer purchaser resells the Product or transfers the vehicle on which the Product is installed. An "original retail consumer purchaser" is a person who originally purchases the Product, or a gift recipient of a new Product that is in its original packaging and unopened.

This limited warranty is subject to all of the following terms and conditions:

TERMS AND CONDITIONS

1. NOTIFICATION OF CLAIMS; WARRANTY SERVICE: IF PURCHASER BELIEVES THAT A PRODUCT IS DEFECTIVE IN MATERIAL OR WORKMANSHIP, WRITTEN NOTICE WITH AN EXPLANATION OF THE CLAIM SHALL BE GIVEN PROMPTLY BY PURCHASER TO LEDGLOW. ALL WARRANTY CLAIMS MUST BE MADE WITHIN THE WARRANTY PERIOD, AND ANY PRODUCTS RETURNED TO LEDGLOW MUST BE SHIPPED IN ACCORDANCE WITH LEDGLOW'S PROCEDURES (INCLUDING USE OF RMA NUMBERS SUPPLIED BY LEDGLOW AFTER NOTIFICATION). THE REPAIR OR REPLACEMENT OF ANY PRODUCT OR PART THEREOF SHALL NOT EXTEND THE ORIGINAL WARRANTY PERIOD. THE SPECIFIC WARRANTY ON THE REPAIRED PART ONLY SHALL BE IN EFFECT FOR A PERIOD OF NINETY (90) DAYS FOLLOWING THE REPAIR OR REPLACEMENT OF THAT PART, OR THE REMAINING PERIOD OF THE PRODUCT WARRANTY, WHICHEVER IS GREATER.

2. EXCLUSIVE REMEDY; ACCEPTANCE: PURCHASER'S EXCLUSIVE REMEDY AND LEDGLOW'S SOLE OBLIGATION IS TO SUPPLY (OR PAY FOR) ALL LABOR NECESSARY TO REPAIR ANY PRODUCT FOUND TO BE DEFECTIVE WITHIN THE WARRANTY PERIOD AND TO SUPPLY NEW OR REBUILT REPLACEMENTS FOR DEFECTIVE PARTS. LEDGLOW WILL REFUND THE PURCHASE PRICE FOR SUCH PRODUCT ONLY IF REPAIR OR REPLACEMENT FAILS TO REMEDY THE DEFECT. PURCHASER'S FAILURE TO MAKE A CLAIM AS PROVIDED IN PARAGRAPH 1 ABOVE OR CONTINUED USE OF THE PRODUCT SHALL CONSTITUTE AN UNQUALIFIED ACCEPTANCE OF SUCH PRODUCT AND A WAIVER BY PURCHASER OF ALL CLAIMS THERETO.

3. EXCEPTIONS TO LIMITED WARRANTY: LEDGLOW SHALL HAVE NO OBLIGATION TO PURCHASER WITH RESPECT TO ANY PRODUCT THAT IS SUBJECTED TO ANY OF THE FOLLOWING: ABUSE, IMPROPER USE, NEGLIGENCE, ACCIDENT, MODIFICATION, FAILURE TO FOLLOW THE OPERATING PROCEDURES OUTLINED IN THE USER'S MANUAL, FAILURE TO FOLLOW THE MAINTENANCE PROCEDURES IN THE SERVICE MANUAL FOR THE PRODUCT, ATTEMPTED REPAIR BY NON-QUALIFIED PERSONNEL, OPERATION OF THE PRODUCT OUTSIDE OF THE PUBLISHED ENVIRONMENTAL AND ELECTRICAL PARAMETERS, OR IF THE PRODUCT'S ORIGINAL IDENTIFICATION (TRADEMARK, SERIAL NUMBER) MARKINGS HAVE BEEN DEFACED, ALTERED, OR REMOVED. LEDGLOW EXCLUDES FROM WARRANTY COVERAGE PRODUCTS SOLD AS IS AND/OR WITH ALL FAULTS. LEDGLOW ALSO EXCLUDES FROM WARRANTY COVERAGE ANY CONSUMABLE ITEMS SUCH AS FUSES AND BATTERIES.

All software and accompanying documentation furnished with, or as part of the Product is furnished "AS IS" (i.e., without any warranty of any kind), except where expressly provided otherwise in any documentation or license agreement furnished with the Product.

4. PROOF OF PURCHASE; REGISTRATION: The Purchaser's dated bill of sale must be retained as evidence of the date of purchase and to establish warranty eligibility. Registration of any Product or of this limited warranty is voluntary, and failure to register will not diminish any rights available under this warranty.

DISCLAIMER OF WARRANTY

EXCEPT FOR THE FOREGOING WARRANTIES, LEDGLOW HEREBY DISCLAIMS AND EXCLUDES ALL OTHER WARRANTIES, EXPRESS OR IMPLIED, INCLUDING, BUT NOT LIMITED TO ANY IMPLIED WARRANTIES OF MERCHANTABILITY, FITNESS FOR A PARTICULAR PURPOSE, OR ANY WARRANTY WITH REGARD TO ANY CLAIM OF INFRINGEMENT THAT MAY BE PROVIDED IN SECTION 2-312(3) OF THE UNIFORM COMMERCIAL CODE OR IN ANY OTHER STATE STATUTE.

LIMITATION OF LIABILITY

THE LIABILITY OF LEDGLOW, IF ANY, AND PURCHASER'S SOLE AND EXCLUSIVE REMEDY FOR DAMAGES FOR ANY CLAIM OF ANY KIND WHATSOEVER, REGARDLESS OF THE LEGAL THEORY AND WHETHER ARISING IN TORT OR CONTRACT, SHALL NOT BE GREATER THAN THE ACTUAL PURCHASE PRICE OF THE PRODUCT FOR WHICH SUCH CLAIM IS MADE. IN NO EVENT SHALL LEDGLOW BE LIABLE TO PURCHASER FOR ANY SPECIAL, INDIRECT, INCIDENTAL, OR CONSEQUENTIAL DAMAGES OF ANY KIND INCLUDING, BUT NOT LIMITED TO, COMPENSATION, REIMBURSEMENT OR DAMAGES ON ACCOUNT OF THE LOSS OF PRESENT OR PROSPECTIVE PROFITS OR FOR ANY OTHER REASON WHATSOEVER.

GOVERNING LAW: This non-transferrable limited warranty shall be governed by the law of the State of New Jersey, U.S.A., and the United States of America, excluding their conflicts of laws principles. The courts of Camden County, New Jersey, shall have the exclusive jurisdiction over any legal action with respect to this warranty.

This limited warranty gives specific legal rights. You may also have other rights that may vary from state to state or from country to country. Some states or countries do not allow the exclusion or limitation of incidental or consequential damages, so the above limitations and exclusions may not apply to you. You are advised to consult applicable state or country laws for a full determination of rights.