



Tech Support 856-768-5700 Ext. 2 • TechSupport@LEDGlow.com

## 6pc – 12pc Million Color SMD Truck Underbody Kit

### ⚠WARNING:

Please check your state and local laws before installing this LED underbody lighting kit. Every state has different policies and procedures in place regarding aftermarket vehicle accessories. LEDGlow is not responsible for any fines that you may receive while using this underbody kit. This kit is for off-road use only.

The installation of this kit is recommended to be installed by a licensed professional. The improper installation of this kit will void all warranties.

**The control box that is used to power this lighting kit must be installed in a dry location! Having this part exposed to water or the elements will cause the kit's controller to fail. Any water damage or corrosion to this part will VOID all warranties.**

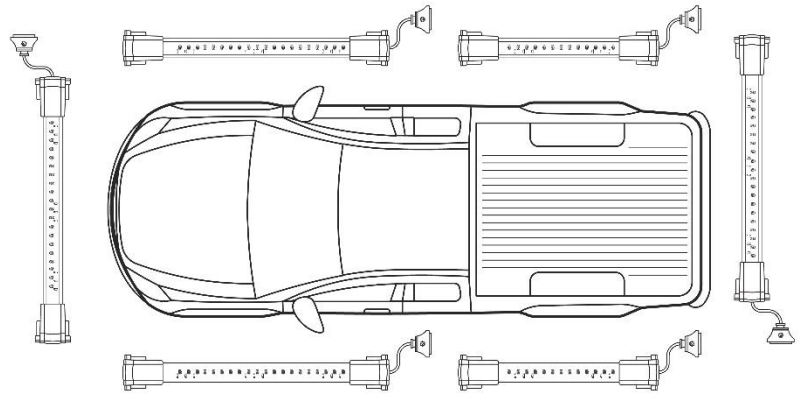
**PLEASE READ THE FOLLOWING INSTRUCTIONS THOROUGHLY BEFORE INSTALLING AND OPERATING THIS LED UNDERBODY KIT.**

#### Underbody Kits Include:

- (2) 24 Inch SMD Tubes
- (2) 36 Inch SMD Tubes
- (2) 46 Inch SMD Tubes
- Control Box
- 4 Button Wireless Remote
- 7 Port Underbody Tube Distributor Cable
- (18) 15 Degree Angled Underbody Tube Brackets
- Zip Ties
- Large Screws
- Interior Tube Distributor Cable (if add-on interior tubes were purchased)
- (2, 4, 6, 8, or 10) 12 Inch Interior Tubes (if add-on interior tubes were purchased)
- Rubber Port Plug

#### How to Test Your Kit:

1. Arrange the underbody tubes as they would be placed on the vehicle.
2. If purchased, arrange the interior add-on tubes as they would be placed on the vehicle.
3. Plug all underbody tube wires into the provided distributor cable.
4. If purchased, plug all interior tube wires into the interior tube distributor cable.
5. Plug the underbody tube distributor cable into the port on the control box labeled "LIGHT 1."
6. If purchased, plug the interior tube distributor cable into the port on the control box labeled "LIGHT 2"
7. Temporarily power your kit with any 12 volt source to ensure it is functioning properly before moving forward with the installation. Simply connect the red wire from the control box to a positive 12 volt source and connect the black wire to any good ground source. Confirm all light tubes illuminate, then, continue with the installation process.



#### Underbody Kit Installation:

1. Disconnect the negative side of the vehicle's battery.
2. Raise the vehicle (if possible).
3. Using the 36" tube with the 18' power wire, mock up its mounting location at the rear of the vehicle. The orientation of the wire does not matter; it can be positioned on either side of the vehicle. However, the tube must be placed 8" away from excessive heat or moving parts.
4. Mock up the remaining 36" tube to the front of the vehicle 8" away from excessive heat or moving parts. Much like the rear underbody tube, the orientation of the wire does not matter; it can be positioned on either side of the vehicle.
5. Mock up the (2) 46" tubes on both of the vehicle's sides. Face the power wires of the 46" side underbody tubes toward the vehicle's rear, making sure to place the tubes 8" away from excessive heat or moving parts.
6. Now, mock up the driver and passenger side 24" underbody tubes on the sides the vehicle. The tubes are designed to be mounted behind the driver and passenger side 46" tubes to cover any major gaps between the side and rear tubes. Be sure to route the wiring for these add-on tubes in a location free of any moving parts or direct heat source and secure the wiring using zip ties.
7. Mark drill locations for the mounting brackets on a level surface facing inward or outward, depending on tube placement preference. Use a 7/64" drill bit to drill pilot holes in the mounting bracket locations and attach the brackets to the vehicle using the included screws. We recommend using 2-3 brackets per tube for 24" and 36" tubes, and 3-4 brackets for 46" tubes.
8. Snap the 36" underbody tube with the 18' power wire into the rear mounting brackets. Snap the other 36" tube into the front mounting brackets. Snap the (2) 46" and (2) 24" underbody tubes into the side mounting brackets and secure all tubes into the brackets with the included zip-ties. Route all of your wiring to the front of the vehicle, ensuring the wiring does not come into contact with any excessive heat or moving parts.

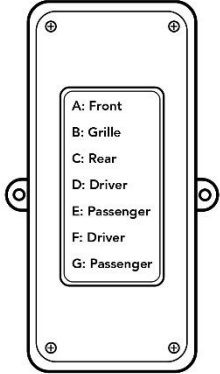


# INSTALLATION GUIDE

Tech Support 856-768-5700 Ext. 2 • TechSupport@LEDGlow.com

- Find a safe, secure, and **dry** location to mount the underbody tube distributor cable. We recommend mounting the distributor cable inside of the car, if possible. If this is not possible, we suggest mounting the distributor cable under the hood in the driest location available. The distributor cable is not water-resistant and all warranties will be voided if the distributor cable fails due to water damage. Please ensure this part and all cables are at least 5" away from any heat sources. Once mounted, connect your lighting tubes to the distribution cable based on the image below.

**TECH TIP:** For extra protection, apply a thin bead of silicone along the seams of the distributor cable to seal it.



- Mount the control box in a safe and secure location inside of your vehicle. Connect the underbody tube distributor cable to the control box. If the junction box is mounted under your hood, run the lead wire through a pre-existing hole with a grommet in your firewall and to the control box. If you do not have a pre-existing hole in the firewall, you can drill one, just be sure to use a rubber grommet to ensure the lead wire is not cut or pinched.

- Connect the red power wire from the control box to a positive 12 volt source. If the wires are not long enough, extend them using 16 or 18 gauge automotive-grade wire. Alternatively, the control box can be powered directly from the vehicle's fuse box by installing LEDGlow's Expandable Circuit, available at [www.LEDGlow.com](http://www.LEDGlow.com). Find more details and installation instructions for the Expandable Circuit at [www.LEDGlow.com](http://www.LEDGlow.com).

- Connect the black wire to a good, unpainted ground source. A couple of good ground sources are under the dash at any main bracket or grounding block, the negative post on your battery, or any engine ground.

- Lower the vehicle if it was raised. Reconnect the negative side of the vehicle's battery and power on the underbody kit to test for full functionality.

### Optional Interior Add-On Tube Installation:

- Once your underbody kit is installed, you can start installing your add-on interior lighting tubes, if purchased.
- Connect the interior tube distributor cable to the port on the control box labeled "Light 2."
- These interior tubes can be installed anywhere you would like. We recommend either under the dashboard, under the front seats, under the rear seats, or even in the trunk.

**⚠WARNING:** The interior tubes are only intended to be installed to the interior of your vehicle and are not water-resistant. Mounting these tubes outside of the vehicle could cause water damage and will void LEDGlow's warranty.

**⚠WARNING:** Do not shorten or cut the lead power wires on the interior tubes. This will potentially damage the kit and void the warranty.

- Once you have determined the mounting location for the interior tubes, clean any dirt, oil or dust from the surface using an alcohol prep pad. (Not included)
- Using the included adhesive tape and screws, mount the interior tube clips to your mounting location and snap the interior tubes into the clips. If you are unable to mount the tubes to a flat location using the clips, mount the tubes using the included zip ties.
- Once you are finished mounting all of your interior tubes, run the lead power wire from each tube to the interior tube distributor cable. Be sure to keep the lead wires away from any moving parts, for example, the pedals, steering column, and seat tracks.

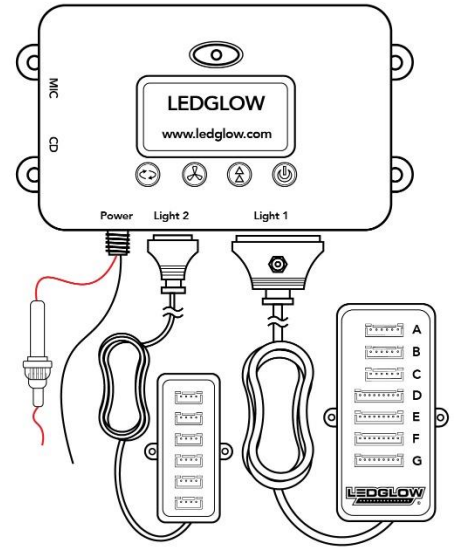
### Sound Activation Mode:

- Connect the music and light sensor to your control box. Place the sensor close to your speaker to allow it to pick up the vibration.

### Adding or Replacing Your Wireless Remote:

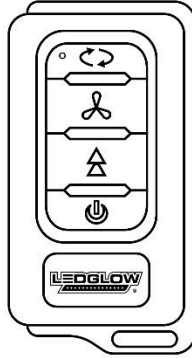
- The included wireless remote is already pre-programmed. This setup is only needed when replacing an existing remote or by adding additional remotes to your system. You may program up to 3 remotes to each control box.
- In order to program the remote to the control box, you must turn the kit off.
  - First Remote - Press and hold the mode button on the remote and the mode control box on the control box for 5-7 seconds. Test the operation with the remote.
  - For up to two additional remotes that are being added, follow the same steps as above but with the speed button and the color button respectively.

**Once you have installed your LED lighting kit, power the kit on using the 4 button wireless remote or the buttons located on the control box to ensure that it is fully functional.**



Tech Support 856-768-5700 Ext. 2 • TechSupport@LEDGlow.com

### Using the Control Box & 4 Button Wireless Remote



#### Power Button



- Pressing this button on the control box or wireless remote will turn your kit on and off.

#### Speed Change Button



- Pressing this button on the control box or wireless remote will allow you to select from 5 different speeds for your selected pattern.
- If your kit is set to sound activation mode, this button will adjust the sensitivity of the selected mode.

#### Changing Color Button



- Pressing this button on the control box or wireless remote will allow you to select from 18 solid color modes, as well as 1 color cycle mode. The available colors are listed below:

- |                 |                      |
|-----------------|----------------------|
| • <b>Blue</b>   | • <b>Light Green</b> |
| • <b>Red</b>    | • <b>Light Blue</b>  |
| • <b>Green</b>  | • <b>Violet</b>      |
| • <b>Orange</b> | • <b>Lime Green</b>  |
| • <b>Yellow</b> | • <b>Medium Blue</b> |
| • <b>Purple</b> | • <b>Pale Green</b>  |
| • <b>Pink</b>   | • <b>Baby Blue</b>   |
| • <b>White</b>  | • <b>Fuchsia</b>     |
| • <b>Teal</b>   | • <b>Lavender</b>    |

#### Mode Button



- Pressing this button on the control box or wireless remote allows you to change the current pattern displayed on your kit. There are 12 distinct patterns, as well as 5 unique sound activation modes. The patterns are listed below:

- |                                  |                                     |
|----------------------------------|-------------------------------------|
| • <b>Solid Illumination Mode</b> | • <b>Front Running Chase Mode</b>   |
| • <b>Flashing Mode</b>           | • <b>Back Running Chase Mode</b>    |
| • <b>Flashing Front Chase</b>    | • <b>Outside to Inside Flash</b>    |
| • <b>Flashing Back Chase</b>     | • <b>Inside to Outside Flash</b>    |
| • <b>Steady Front Chase</b>      | • <b>Flash Pattern</b>              |
| • <b>Steady Back Chase</b>       | • <b>Flash Pattern</b>              |
|                                  | • <b>(5) Sound Activation Modes</b> |



# INSTALLATION GUIDE

Tech Support 856-768-5700 Ext. 2 • TechSupport@LEDGlow.com

## ONE YEAR NON-TRANSFERABLE LIMITED WARRANTY AND DISCLAIMER

LEDGlow Lighting, LLC ("LEDGlow") warrants to the original retail consumer purchaser, and not any other purchaser or subsequent owner, that this Product will be free from defects in material or workmanship for a period of **one (1) year** from the purchase date. **This warranty does not cover any Product that is (1) installed incorrectly, or (2) damaged by collisions, vandalism, other accidents, or similar causes.**

For a period of **one (1) year** from the date of purchase, at no charge to the Purchaser, LEDGlow will repair or replace this Product if it is determined by LEDGlow to be defective. After the warranty period, the Purchaser must pay all charges for parts and labor.

Coverage under this warranty is only valid within the United States, including its territories, as well as in certain other countries. Purchasers should check our website, [www.LEDGlow.com](http://www.LEDGlow.com), to determine the warranty coverage in the countries in which they are located.

LEDGlow does **not warrant the installation** of the Product, which is the sole responsibility of the Purchaser. Installation should be done by licensed professionals. Improper installation may cause damage to the Product and any vehicle in which it is installed, and may cause burns and electrical injury to individuals. LEDGlow's warranty does not cover any expenses incurred in removing Products that are defective or re-installing replacement Products in their place.

During the warranty period, to have the Product repaired or replaced, the Purchaser must return the Product, freight prepaid by the Purchaser, to LEDGlow (but for customers in the contiguous United States, LEDGlow will pay the shipping charges if any Product fails during the first thirty (30) days after purchase). The Product must be returned in its original carton or in a similar package affording an equal degree of protection. LEDGlow will return the repaired or replaced Product, freight prepaid, to the Purchaser. LEDGlow does not provide Purchasers with temporary replacement units during the warranty period or at any other time.

This limited warranty is non-transferable and will automatically terminate if the original retail consumer purchaser resells the Product or transfers the vehicle on which the Product is installed. An "original retail consumer purchaser" is a person who originally purchases the Product, or a gift recipient of a new Product that is in its original packaging and unopened.

This limited warranty is subject to all of the following terms and conditions:

### TERMS AND CONDITIONS

**1. NOTIFICATION OF CLAIMS; WARRANTY SERVICE:** IF PURCHASER BELIEVES THAT A PRODUCT IS DEFECTIVE IN MATERIAL OR WORKMANSHIP, WRITTEN NOTICE WITH AN EXPLANATION OF THE CLAIM SHALL BE GIVEN PROMPTLY BY PURCHASER TO LEDGLOW. ALL WARRANTY CLAIMS MUST BE MADE WITHIN THE WARRANTY PERIOD, AND ANY PRODUCTS RETURNED TO LEDGLOW MUST BE SHIPPED IN ACCORDANCE WITH LEDGLOW'S PROCEDURES (INCLUDING USE OF RMA NUMBERS SUPPLIED BY LEDGLOW AFTER NOTIFICATION). THE REPAIR OR REPLACEMENT OF ANY PRODUCT OR PART THEREOF SHALL NOT EXTEND THE ORIGINAL WARRANTY PERIOD. THE SPECIFIC WARRANTY ON THE REPAIRED PART ONLY SHALL BE IN EFFECT FOR A PERIOD OF NINETY (90) DAYS FOLLOWING THE REPAIR OR REPLACEMENT OF THAT PART, OR THE REMAINING PERIOD OF THE PRODUCT WARRANTY, WHICHEVER IS GREATER.

**2. EXCLUSIVE REMEDY; ACCEPTANCE:** PURCHASER'S EXCLUSIVE REMEDY AND LEDGLOW'S SOLE OBLIGATION IS TO SUPPLY (OR PAY FOR) ALL LABOR NECESSARY TO REPAIR ANY PRODUCT FOUND TO BE DEFECTIVE WITHIN THE WARRANTY PERIOD AND TO SUPPLY NEW OR REBUILT REPLACEMENTS FOR DEFECTIVE PARTS. LEDGLOW WILL REFUND THE PURCHASE PRICE FOR SUCH PRODUCT ONLY IF REPAIR OR REPLACEMENT FAILS TO REMEDY THE DEFECT. PURCHASER'S FAILURE TO MAKE A CLAIM AS PROVIDED IN PARAGRAPH 1 ABOVE OR CONTINUED USE OF THE PRODUCT SHALL CONSTITUTE AN UNQUALIFIED ACCEPTANCE OF SUCH PRODUCT AND A WAIVER BY PURCHASER OF ALL CLAIMS THERETO.

**3. EXCEPTIONS TO LIMITED WARRANTY:** LEDGLOW SHALL HAVE NO OBLIGATION TO PURCHASER WITH RESPECT TO ANY PRODUCT THAT IS SUBJECTED TO ANY OF THE FOLLOWING: ABUSE, IMPROPER USE, NEGLIGENCE, ACCIDENT, MODIFICATION, FAILURE TO FOLLOW THE OPERATING PROCEDURES OUTLINED IN THE USER'S MANUAL, FAILURE TO FOLLOW THE MAINTENANCE PROCEDURES IN THE SERVICE MANUAL FOR THE PRODUCT, ATTEMPTED REPAIR BY NON-QUALIFIED PERSONNEL, OPERATION OF THE PRODUCT OUTSIDE OF THE PUBLISHED ENVIRONMENTAL AND ELECTRICAL PARAMETERS, OR IF THE PRODUCT'S ORIGINAL IDENTIFICATION (TRADEMARK, SERIAL NUMBER) MARKINGS HAVE BEEN DEFACED, ALTERED, OR REMOVED. LEDGLOW EXCLUDES FROM WARRANTY COVERAGE PRODUCTS SOLD AS IS AND/OR WITH ALL FAULTS. LEDGLOW ALSO EXCLUDES FROM WARRANTY COVERAGE ANY CONSUMABLE ITEMS SUCH AS FUSES AND BATTERIES.

All software and accompanying documentation furnished with, or as part of the Product is furnished "AS IS" (i.e., without any warranty of any kind), except where expressly provided otherwise in any documentation or license agreement furnished with the Product.

**4. PROOF OF PURCHASE; REGISTRATION:** The Purchaser's dated bill of sale must be retained as evidence of the date of purchase and to establish warranty eligibility. Registration of any Product or of this limited warranty is voluntary, and failure to register will not diminish any rights available under this warranty.

### DISCLAIMER OF WARRANTY

EXCEPT FOR THE FOREGOING WARRANTIES, LEDGLOW HEREBY DISCLAIMS AND EXCLUDES ALL OTHER WARRANTIES, EXPRESS OR IMPLIED, INCLUDING, BUT NOT LIMITED TO ANY IMPLIED WARRANTIES OF MERCHANTABILITY, FITNESS FOR A PARTICULAR PURPOSE, OR ANY WARRANTY WITH REGARD TO ANY CLAIM OF INFRINGEMENT THAT MAY BE PROVIDED IN SECTION 2-312(3) OF THE UNIFORM COMMERCIAL CODE OR IN ANY OTHER STATE STATUTE.

### LIMITATION OF LIABILITY

THE LIABILITY OF LEDGLOW, IF ANY, AND PURCHASER'S SOLE AND EXCLUSIVE REMEDY FOR DAMAGES FOR ANY CLAIM OF ANY KIND WHATSOEVER, REGARDLESS OF THE LEGAL THEORY AND WHETHER ARISING IN TORT OR CONTRACT, SHALL NOT BE GREATER THAN THE ACTUAL PURCHASE PRICE OF THE PRODUCT FOR WHICH SUCH CLAIM IS MADE. IN NO EVENT SHALL LEDGLOW BE LIABLE TO PURCHASER FOR ANY SPECIAL, INDIRECT, INCIDENTAL, OR CONSEQUENTIAL DAMAGES OF ANY KIND INCLUDING, BUT NOT LIMITED TO, COMPENSATION, REIMBURSEMENT OR DAMAGES ON ACCOUNT OF THE LOSS OF PRESENT OR PROSPECTIVE PROFITS OR FOR ANY OTHER REASON WHATSOEVER.

**GOVERNING LAW:** This non-transferable limited warranty shall be governed by the law of the State of New Jersey, U.S.A., and the United States of America, excluding their conflicts of laws principles. The courts of Camden County, New Jersey, shall have the exclusive jurisdiction over any legal action with respect to this warranty.

This limited warranty gives specific legal rights. You may also have other rights that may vary from state to state or from country to country. Some states or countries do not allow the exclusion or limitation of incidental or consequential damages, so the above limitations and exclusions may not apply to you. You are advised to consult applicable state or country laws for a full determination of rights.