

6' Wire Extension for Million & Single Color Wireless Underbody Tube

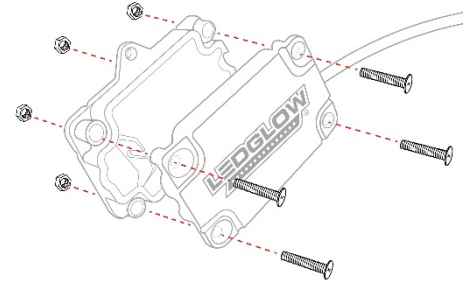
⚠ WARNING: Please check your state and local laws before installing any Underbody Lighting Kits. Every state has different policies and procedures in place regarding aftermarket vehicle accessories. LEDGlow is not responsible for any fines that you may incur while an Underbody Lighting Kit is installed on your vehicle. These kits are for off-road use only. The installation of these kits is recommended to be installed by a licensed professional. Improper installation will void all warranties.

➔ **OPTIONAL STEP:** Raise and support the vehicle.

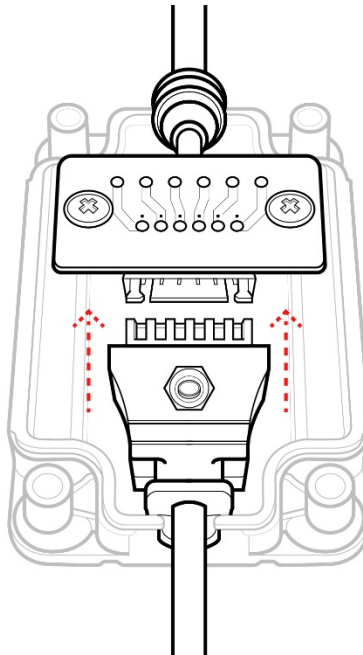
- Mock up the Extension Cable to the area in which you plan to install it, ensuring the wire length is sufficient.

⚠ **CAUTION:** DO NOT SHORTEN OR CUT THE WIRES. This will void all warranties.

1. Remove the (4) Phillips head screws and nuts from the connection box. Take caution not to lose the nuts on the rear.
2. Separate the two halves of the connection box and remove the grommet.
3. Plug the connector from your lighting tube into the port in the connection box.
4. Place the grommet onto the wire from your lighting tube and slide it into the available slot on the connection box.
5. Carefully line up the two halves of the connection box and reinstall the (4) nuts and screws **(Do Not Fully Tighten)**
6. Check to ensure that the two halves of the connection box are fully sealed and verify that both grommets and the rubber seal are not pinched anywhere. Readjust if needed.
7. Carefully tighten the (4) screws until snug.
8. Start routing the wires towards the junction cable from your lighting kit.
9. Mount the connection box using the included screws.
10. Continue routing the rest of the wiring and plug it into the appropriate port on the junction cable from your lighting kit.



⚠ **CAUTION:** Be sure to keep the wires and connection box clear of any moving parts and direct heat sources.



For full warranty information, please visit www.LEDUnderbody.com